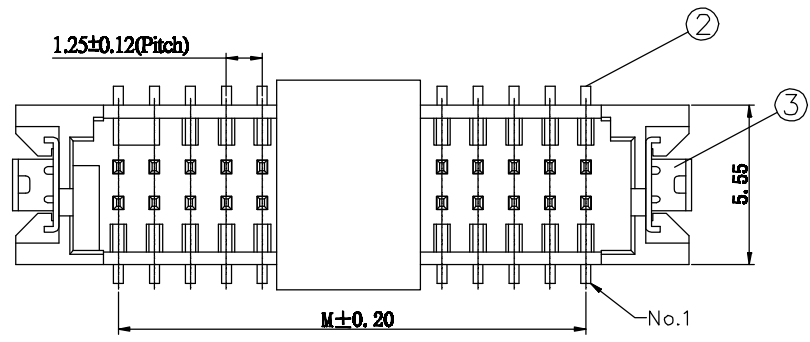


1 2 3 4 5 6 7 8 9

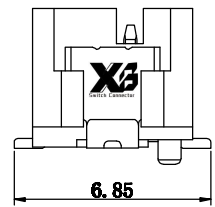
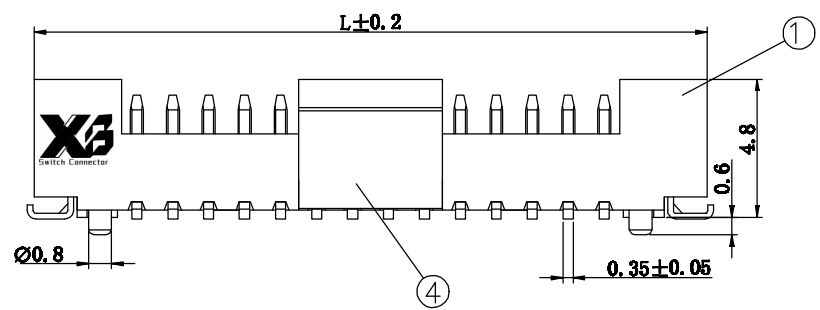
F



NOTES:

- 1. MATERIAL SEE TABLE;
- 2. PLATING SEE PART NUMBER;
- 3. RATING
- 3-1. OPERATING TEMPERATURE: -25~85°C
- 3-2. OPERATING VOLTAGE: 200V AC/DC
- 3-3. CURRENT RATING: 1.5 AMPS(AWG#26)
- 3-4. DIELECTRIC WITHSTANDING VOLTAGE: 1000V AC/Minute;
- 3-5. INSULATION RESISTANCE:1000MΩ Min;
- 3-6. CONTACT RESISTANCE:0.03Ω Max;

E

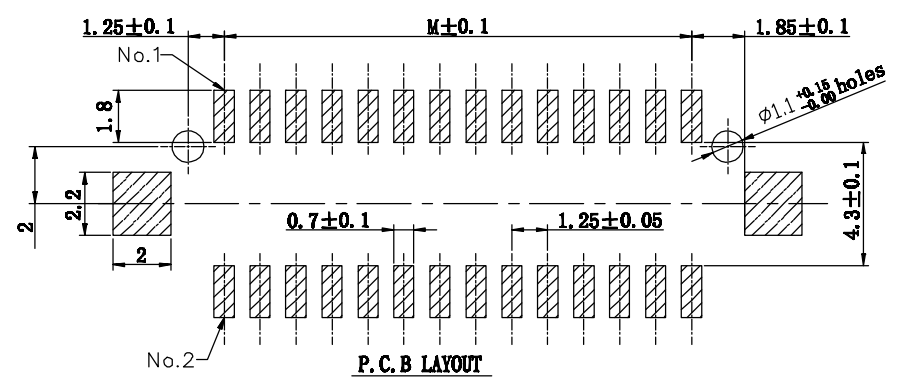


D

No of PIN/Row	Dimensions	
	M	L
5	5.00	12.15
7	7.50	14.65
10	11.25	18.40
15	17.50	24.65
20	23.75	30.90

序号	名称	材料	数量
4	料 Cap	PA9T(UL94V-0)	1
3	料 Fitting Nail	料 Phosphor Bronze	2
2	料 Contact	料 Phosphor Bronze	n*1
1	料 Wafer	PA9T(UL94V-0)	1

C



Ordering Information

XB-X125-PCB-203-B001 -XX XX B 001 D X A X

No. of Pins per Row: 05,07,10,15,20

Standard Plating: 02=Gold Flash, Selective Plating 01=Tin, 07=Gold 2u"/Gold Flash

Color: 2=White, 5=Beige, ...

Standard Packing: F=CAP+Tape&Reel, Selective Packing D=Tape&Reel, ...

B

A

东莞市溪榜电子有限公司 DONG GUAN XI BANG ELECTRONICS CO., LTD	3RD.ANG PROJ. PAGE. 1/1	GENERAL TOLERANCE		DESIGNED:	DATE:	DWG. NO. XB-X125-PCB-203-B001	TITLE. 1.25 WT B CONN.SMT
		X.*±3.0'	X.±/				
REV. A	UNIT. mm	SCALE. 1:1	.X'±2.0'	.X±0.25	APPROVED:	DATE:	
			.XX'±1.5'	.XX±0.20			
			.XXX'±1.0'	.XXX±0.15			

1 2 3 4 5 6 7 8 9

F

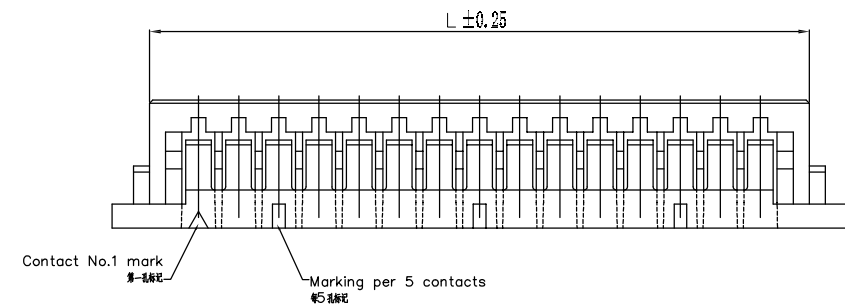
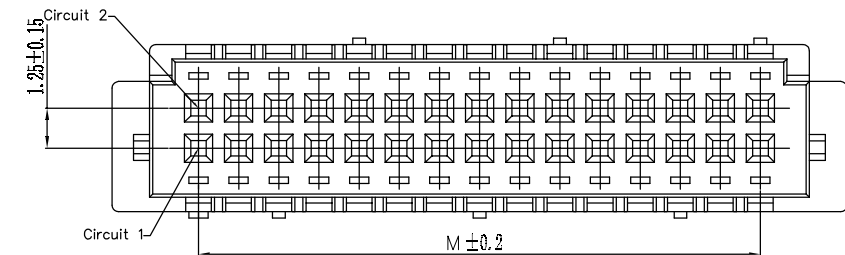
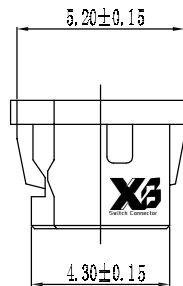
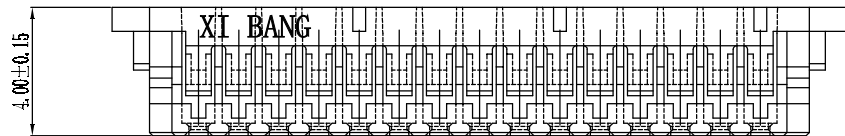
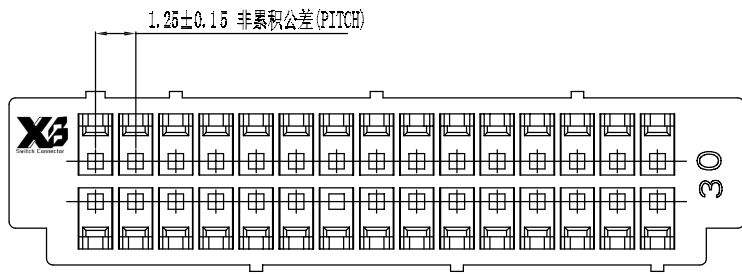
E

D

C

B

A



RATING
 OPERATING TEMPERATURE: -25~85°C
 OPERATING VOLTAGE: 200V AC/DC
 CURRENT RATING: 1.5 AMPS(AWG#26)
 DIELECTRIC WITHSTANDING VOLTAGE:
 1000V AC/Minute;
 INSULATION RESISTANCE:1000MΩ Min;
 CONTACT RESISTANCE:0.03Ω Max;

Materials
 Insulator Material: PA66 UL 94V-0

NO OF PINS/ROW	Dimensions (mm)	
	M	L
5	5.00	8.05
7	7.50	10.55
10	11.25	14.30
15	17.50	20.55
20	23.75	26.80

XB-X125-PCB-203-B001M - XX A X
 No. of Pin/Row SEE TABLE
 Material/Color
 M=Nylon66/White
 M1=Nylon66/Black

XB 东莞市溪榜电子有限公司
 DONG GUAN XI BANG ELECTRONICS CO., LTD

3RD.ANG PROJ.

 PAGE. 1/1

GENERAL TOLERANCE

X. 插 /	X. ?
.X 插 /	.X?.25
.XX 插 /	.XX?.20
.XXX 插 /	.XXX?. 15

DESIGNED:

DATE:

DWG. NO.

XB-X125-PCB-203-B001M

TITLE.

1.25 WTB CONN. DOUBLE ROW HOUSING

CHECKED:

DATE:

PART NO.

APPROVED:

DATE:

REV. A

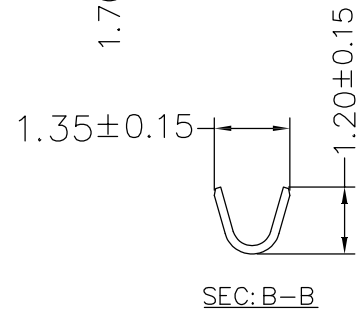
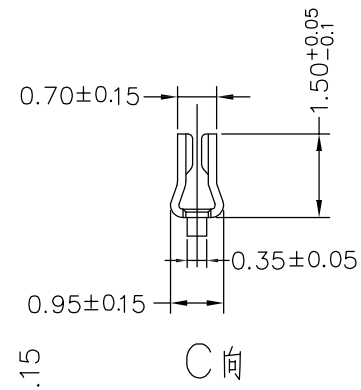
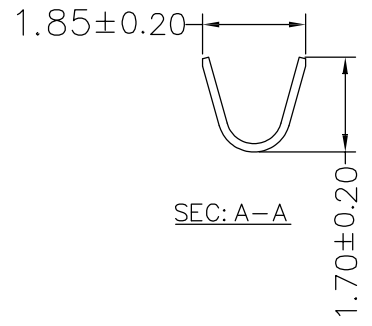
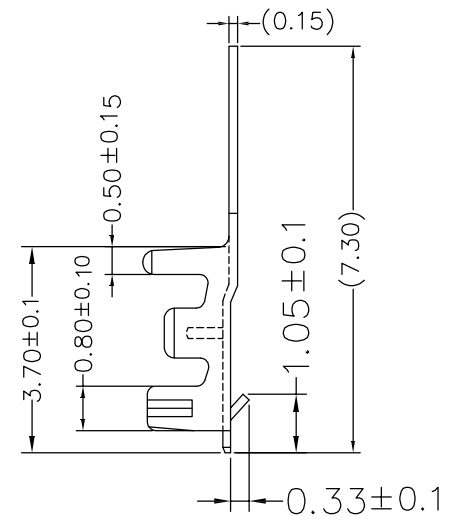
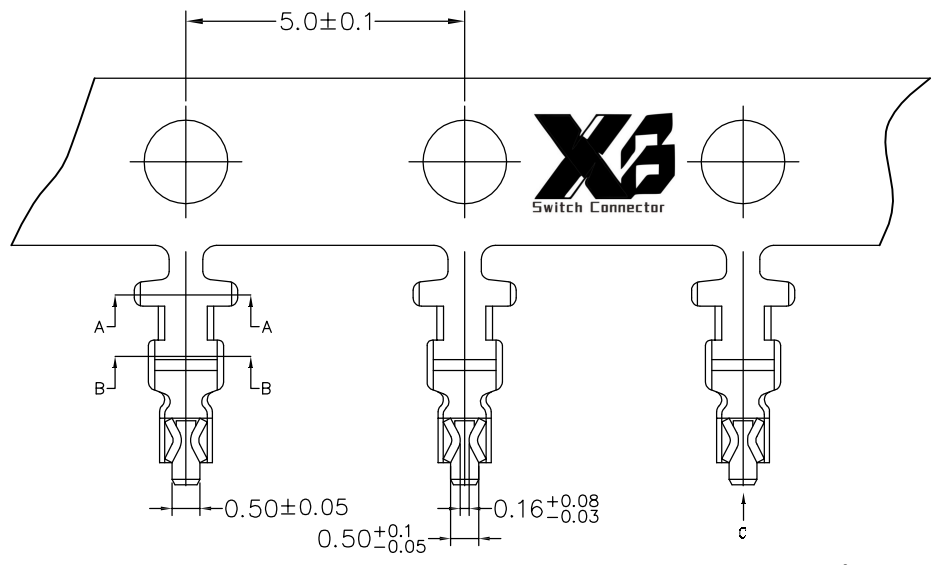
UNIT. mm

SCALE. 1:1

1 2 3 4 5 6 7 8 9

F
E
D
C
B
A

F
E
D
C
B
A



RATING
 OPERATING TEMPERATURE: -25~85°C
 OPERATING VOLTAGE: 200V AC/DC
 CURRENT RATING: 1.5 AMPS(AWG#26)
 DIELECTRIC WITHSTANDING VOLTAGE:
 1000V AC/Minute;
 INSULATION RESISTANCE:1000MΩ Min;
 CONTACT RESISTANCE:0.03Ω Max;

Ordering Information

XB-X125-PCB-203-B001D - 01 XX AB

Standard Plating
 01=Tin
 02=Gold flash

Materials
 AB=Phosphor Bronze

东莞市溪榜电子有限公司
 DONG GUAN XI BANG ELECTRONICS CO., LTD

3RD.ANG PROJ.

 PAGE. 1/1

GENERAL TOLERANCE	
X. 倅 /	X.?
.X 倅 /	.X?.25
.XX 倅 /	.XX?.20
.XXX 倅 /	.XXX?. 15

DESIGNED:
 CHECKED:
 APPROVED:

DATE:
 DATE:
 DATE:

DWG. NO.
XB-X125-PCB-203-B001D
 PART NO.

TITLE.
 1.25 WEB CONN.PLUG GRIMP TERMINAL

REV. A UNIT. mm SCALE. 1:1

1 2 3 4 5 6 7 8 9