

1 2 3 4 5 6 7 8 9

F

E

D

C

B

A

F

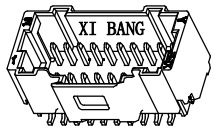
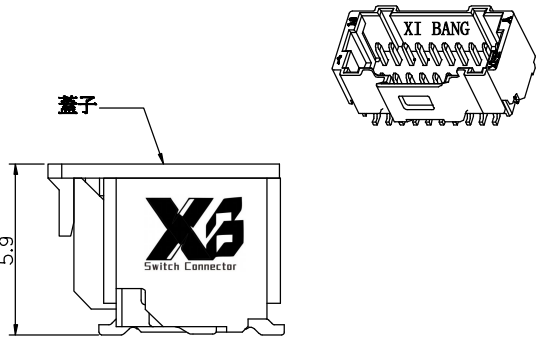
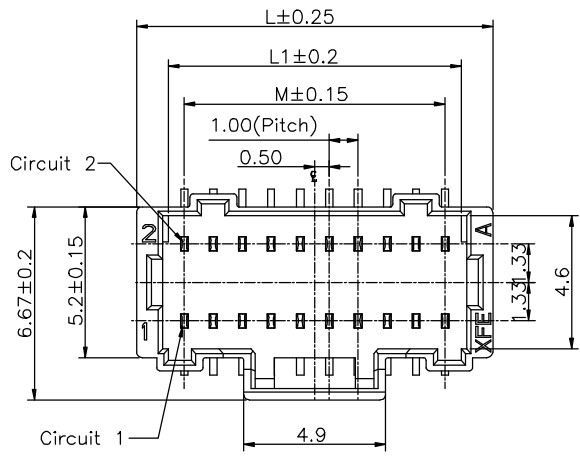
E

D

C

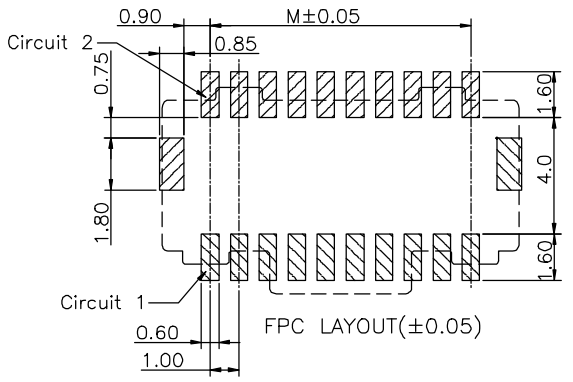
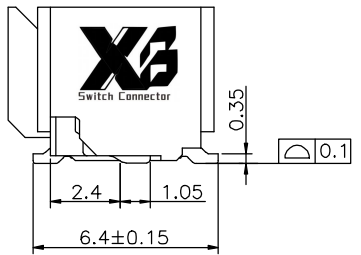
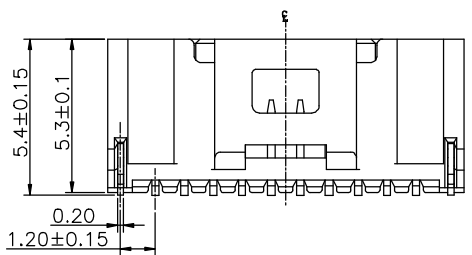
B

A



Specifications
 Current Rating:1Amp
 Insulation Resistance:100MΩ Min.
 Dielectric Withstanding Voltage:500VAC
 Contact Resistance:30mΩ Max.
 Operating Temperature:-25°C to +85°C
 Materials
 Contact Material:Phosphor Bronze
 Insulator Material: UL 94V-0 PA6T
 All materials must meet XI BANG hazardous substances control standards.

Pins	L	L1	M
10	12.3	10.5	9.0
15	17.3	15.5	14.0
20	22.3	20.5	19.0
25	27.3	25.5	24.0



Ordering Information

XB-X10-PCB-203 - XX XX A 001 B X A X

No. of Pins per Row SEE TABLE
 Standard Plating 02=Gold Flash
 Selective Plating 05=Gold Flash/Tin
 Color 2=White
 Standard Packing D=Tape&Reel

X3 东莞市溪榜电子有限公司
 DONG GUAN XI BANG ELECTRONICS CO., LTD

GENERAL TOLERANCE	
X.'±3.0'	X.±
.X'±1.0'	.X±0.25
.XX'±	.XX±0.15
.XXX'±	.XXX±0.10

DESIGNED:
 CHECKED:
 APPROVED:

DATE:
 DATE:
 DATE:

DWG. NO.
XB-X10-PCB-203
 PART NO.

TITLE.
 1.0 WTB CONN,SMT SINGLE ROW VERTICAL

REV.	UNIT.	SCALE.	PAGE.	
A	mm	1:1	1/1	

1 2 3 4 5 6 7 8 9