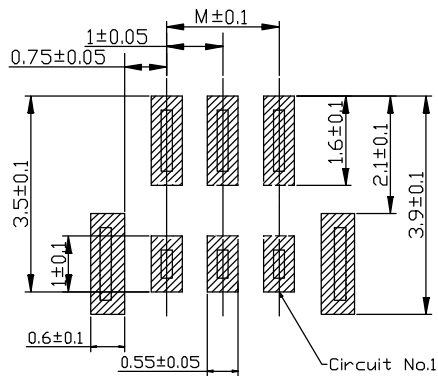
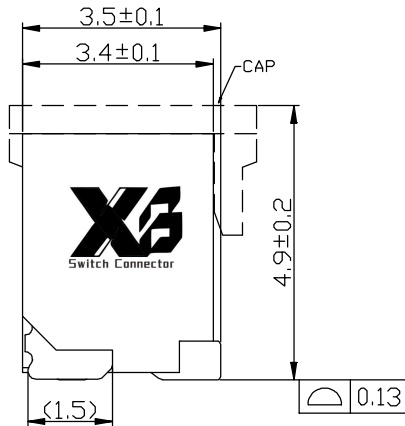
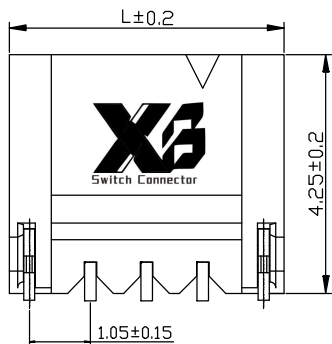
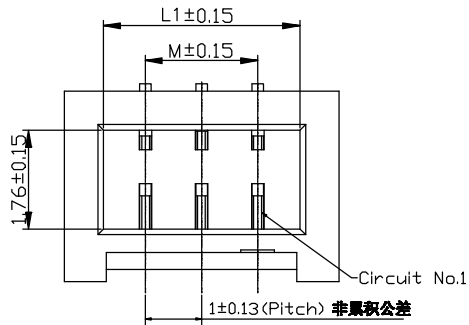


1 2 3 4 5 6 7 8 9



PCB寸法
PCB Layout

NOTES:

1. MATERIAL
 - 1-1. HOUSING: PA9T (UL94V-0)
 - 1-2. CONTACT: PHOSPHOR BRONZE
 - 1-3. CAP: PA9T (UL94V-0)
 - 1-4. FITTING NAIL: PHOSPHOR BRONZE
2. PLATING: SEE PART NUMBER
3. RATING
 - 3-1. OPERATING TEMPERATURE: -25~85°C
 - 3-2. OPERATING VOLTAGE: 150V AC/DC
 - 3-3. CURRENT RATING: 1.0 AMPS
 - 3-4. DIELECTRIC WITHSTANDING VOLTAGE: 500V AC/Minute;
- 3-5. INSULATION RESISTANCE: 100 MΩ Min;
- 3-6. CONTACT RESISTANCE: 0.03Ω Max

No of PIN/Row	Dimensions		
	M	L1	L
2	1.0	2.5	3.9
3	2.0	3.5	4.9
4	3.0	4.5	5.9
5	4.0	5.5	6.9
6	5.0	6.5	7.9
7	6.0	7.5	8.9
8	7.0	8.5	9.9
9	8.0	9.5	10.9
10	9.0	10.5	11.9
11	10.0	11.5	12.9
12	11.0	12.5	13.9
13	12.0	13.5	14.9
14	13.0	14.5	15.9
15	14.0	15.5	16.9
16	15.0	16.5	17.9
17	16.0	17.5	18.9
18	17.0	18.5	19.9
19	18.0	19.5	20.9
20	19.0	20.5	21.9

Ordering Information

XB-X10-PCB-106-A003 - XX XX A 003 D X A X

No. of Pins per Row: 02-20
Standard Plating: 22=Matte Tin, Selective Plating: 01=Tin, 02=Gold flash, 05=Gold flash/Tin
Color: 1=Black, 2=White
Standard Packing: F= CAP+Tape&Reel, Selective Packing: D= Tape&Reel

X3 东莞市溪榜电子有限公司
DONG GUAN XI BANG ELECTRONICS CO., LTD

3RD.ANG PROJ.
PAGE. 1/1

GENERAL TOLERANCE	
X.*±5.0'	X.±/
.X'±3.0'	.X±0.25
.XX'±2.0'	.XX±0.20
.XXX'±1.0'	.XXX±0.15

DESIGNED:
CHECKED:
APPROVED:

DATE:
DATE:
DATE:

DWG. NO.
XB-X10-PCB-106-A003
PART NO.

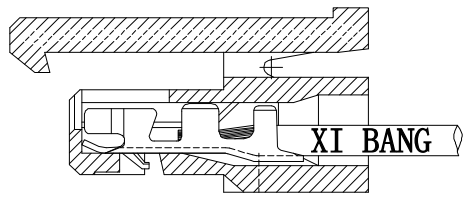
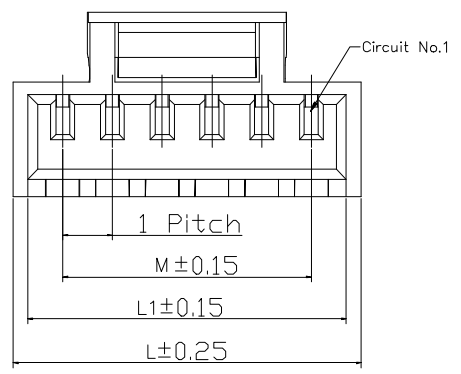
TITLE.
1.0 WTB CONN. SMT SINGLE ROW

REV. A UNIT. mm SCALE. 1:1

1 2 3 4 5 6 7 8 9

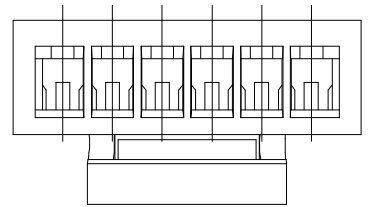
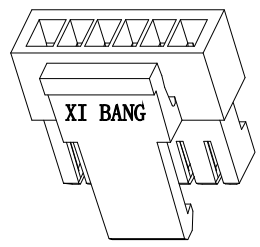
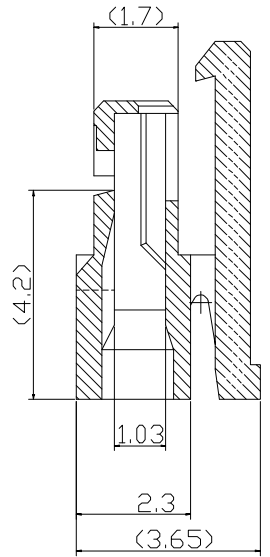
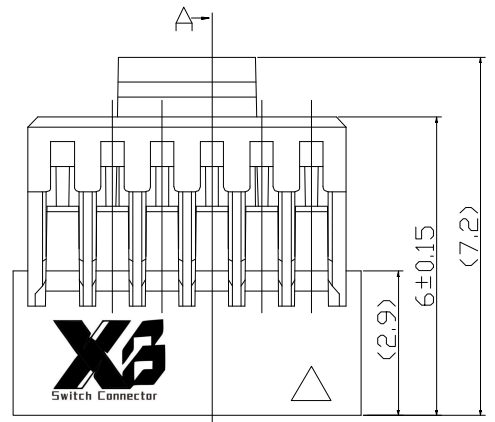
1 2 3 4 5 6 7 8 9

F
E
D
C
B
A



插线状态

- NOTES:
 1. Insulator Material: PA66 UL 94V-0
 2. RATING
 2-1. OPERATING TEMPERATURE: -25~85°C
 2-2. OPERATING VOLTAGE: 150V AC/DC
 2-3. CURRENT RATING: 1.0 AMPS
 2-4. DIELECTRIC WITHSTANDING VOLTAGE: 500V AC/Minute;
 2-5. INSULATION RESISTANCE: 100 MΩ Min;
 2-6. CONTACT RESISTANCE: 0.03Ω Max;



SECTION A-A

XB-X10-PCB-106-A003-M

XX A X
 No. of Pin/Row 02~20
 Material/Color
 M=Nylon66/White
 M1=Nylon66/Black

PIN	M	L1	L
2	1.0	2.40	3.00
3	2.0	3.40	4.00
4	3.0	4.40	5.00
5	4.0	5.40	6.00
6	5.0	6.40	7.00
7	6.0	7.40	8.00
8	7.0	8.40	9.00
9	8.0	9.40	10.00
10	9.0	10.40	11.00
11	10.0	11.40	12.00
12	11.0	12.40	13.00
13	12.0	13.40	14.00
14	13.0	14.40	15.00
15	14.0	15.40	16.00
16	15.0	16.40	17.00
17	16.0	17.40	18.00
18	17.0	18.40	19.00
19	18.0	19.40	20.00
20	19.0	20.40	21.00

东莞市溪榜电子有限公司 DONG GUAN XI BANG ELECTRONICS CO., LTD	3RD.ANG PROJ. 	GENERAL TOLERANCE		DESIGNED:	DATE:	DWG. NO. XB-X10-PCB-106-A003-M PART NO.	TITLE. 1.0WTB CONN. SINGLE ROW HOUSING
		X.停 / X.?	.X?.25	CHECKED:	DATE:		
REV. A	UNIT. mm	SCALE. 1:1	PAGE. 1/1	.XX停 / .XX?.20	APPROVED:	DATE:	
				.XXX停 / .XXX?. 15			

1 2 3 4 5 6 7 8 9

1 2 3 4 5 6 7 8 9

F

E

D

C

B

A

F

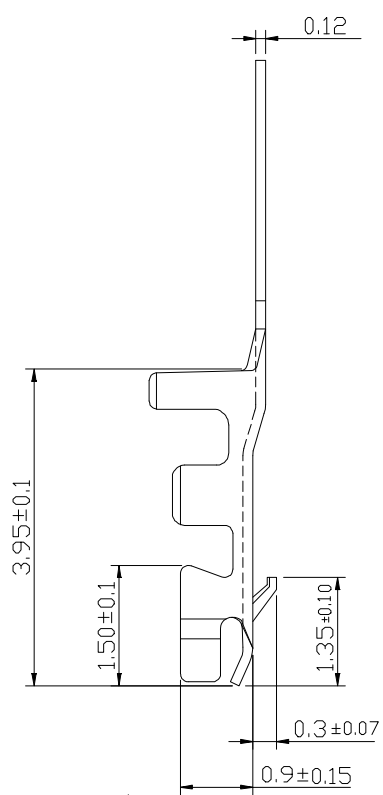
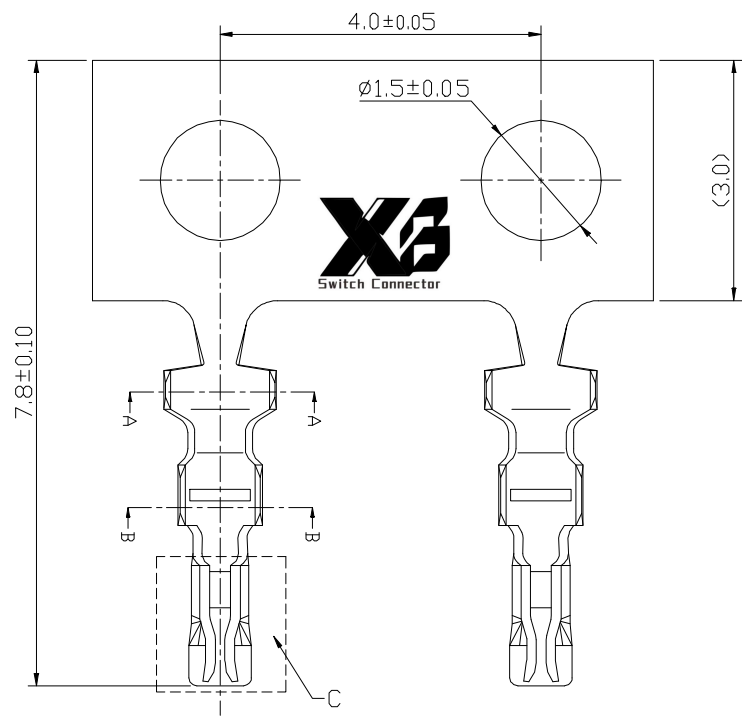
E

D

C

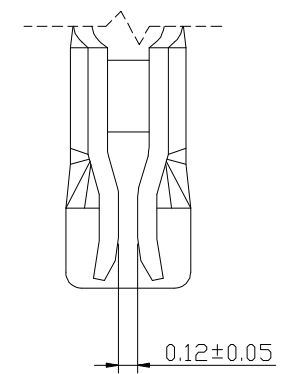
B

A

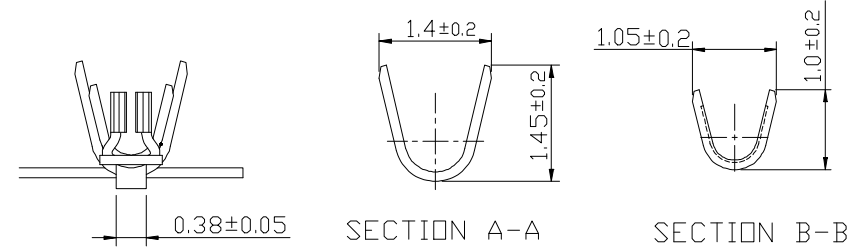


NOTES:

OPERATING TEMPERATURE: -25~85°C
 OPERATING VOLTAGE: 150V AC/DC
 CURRENT RATING: 1.0 AMPS
 DIELECTRIC WITHSTANDING VOLTAGE:
 500V AC/Minute;
 INSULATION RESISTANCE: 100MΩ Min;
 CONTACT RESISTANCE: 0.03Ω Max;



DETAIL: C SCALE 2:1



Ordering Information

XB-X10-PCB-106-A003-D XX

AB

Standard Plating
 01=Tin
 02=Gold flash

Materials
 AB=Phosphor Bronze

XB 东莞市溪榜电子有限公司
 DONG GUAN XI BANG ELECTRONICS CO., LTD

3RD.ANG
 PROJ.

GENERAL TOLERANCE	
X.位 /	X.?
.X位 /	.X?.25
.XX位 /	.XX?.20
.XXX位 /	.XXX?. 15

DESIGNED:	DATE:
CHECKED:	DATE:
APPROVED:	DATE:

DWG. NO.
XB-X10-PCB-106-A003-D
 PART NO.

TITLE.
1.0 WTB CONN. PLUG CRIMP TERMINAL

REV.	UNIT.	SCALE.	PAGE.
A	mm	1:1	1/1

1 2 3 4 5 6 7 8 9