

1 2 3 4 5 6 7 8 9

F

E

D

C

B

A

F

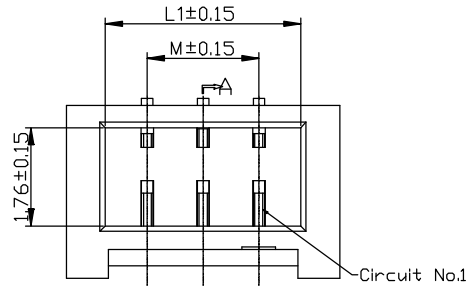
E

D

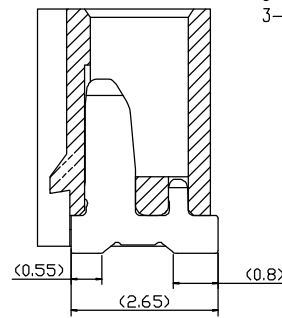
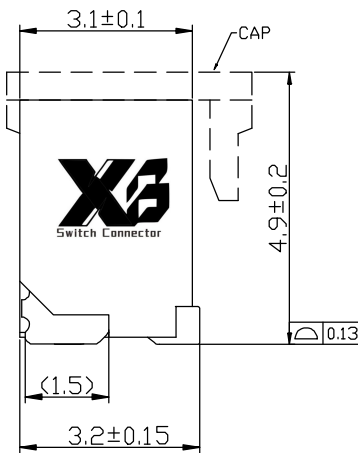
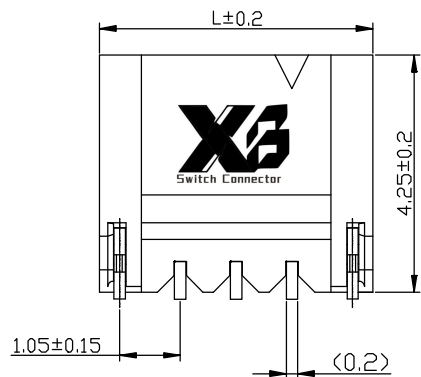
C

B

A



1±0.13(PH) 非累积公差

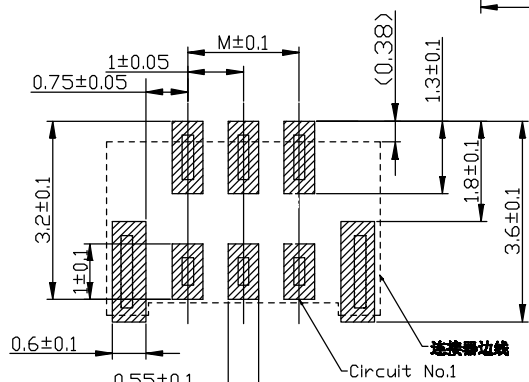


SECTION A-A

NOTES:

1. MATERIAL
 - 1-1. HOUSING: PA9T (UL94V-0)
 - 1-2. CONTACT: PHOSPHOR BRONZE
 - 1-3. CAP: PA9T (UL94V-0)
 - 1-4. FITTING NAIL: PHOSPHOR BRONZE
2. PLATING: SEE PART NUMBER
3. RATING
 - 3-1. OPERATING TEMPERATURE: -25~85°C
 - 3-2. OPERATING VOLTAGE: 150V AC/DC
 - 3-3. CURRENT RATING: 1.0 AMPS
 - 3-4. DIELECTRIC WITHSTANDING VOLTAGE: 500V AC/Minute;
 - 3-5. INSULATION RESISTANCE: 100 MΩ Min;
 - 3-6. CONTACT RESISTANCE: 0.03Ω Max

No of PIN/Row	Dimensions		
	M	L1	L
2	1.0	2.5	3.9
3	2.0	3.5	4.9
4	3.0	4.5	5.9
5	4.0	5.5	6.9
6	5.0	6.5	7.9
7	6.0	7.5	8.9
8	7.0	8.5	9.9
9	8.0	9.5	10.9
10	9.0	10.5	11.9
11	10.0	11.5	12.9
12	11.0	12.5	13.9
13	12.0	13.5	14.9
14	13.0	14.5	15.9
15	14.0	15.5	16.9
16	15.0	16.5	17.9
17	16.0	17.5	18.9
18	17.0	18.5	19.9
19	18.0	19.5	20.9
20	19.0	20.5	21.9



PCB寸法
PCB Layout

Ordering Information

XB-X10-PCB-106-A002- XX XX A 002 D X A X

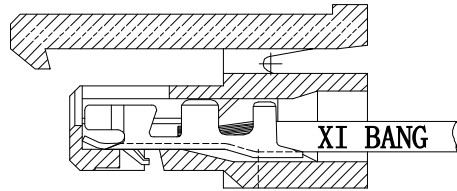
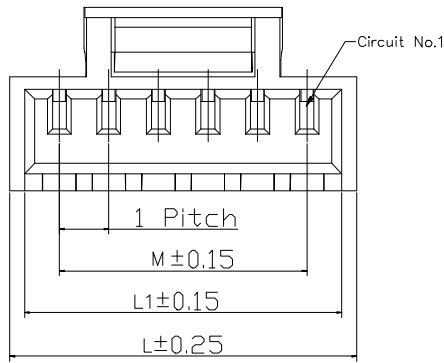
No. of Pins per Row: 02-20
Standard Plating: 22=Matte Tin, Selective Plating: 01=Tin, 02=Gold flash, 05=Gold flash/Tin
Color: 1=Black, 2=White
Standard Packing: F= CAP+Tape&Reel, Selective Packing: D= Tape&Reel

东莞市溪榜电子有限公司 DONG GUAN XI BANG ELECTRONICS CO., LTD			3RD.ANG PROJ. 	GENERAL TOLERANCE		DESIGNED:	DATE:	DWG. NO. XB-X10-PCB-106-A002	TITLE. 1.0 WB CONV. SMT SINGLE ROW
				X'±5.0'	X.±/				
REV. A	UNIT. mm	SCALE. 1:1	PAGE. 1/1	.X'±3.0'	.X±0.25	APPROVED:	DATE:	PART NO.	
				.XX'±2.0'	.XX±0.20				
				.XXX'±1.0'	.XXX±0.15				

1 2 3 4 5 6 7 8 9

1 2 3 4 5 6 7 8 9

F



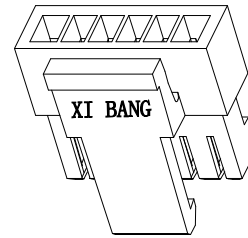
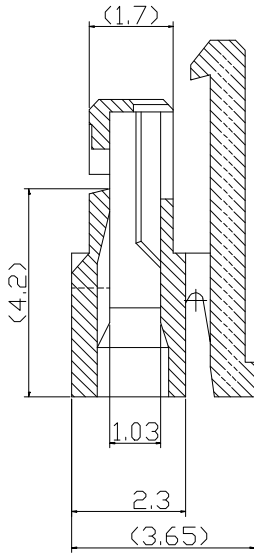
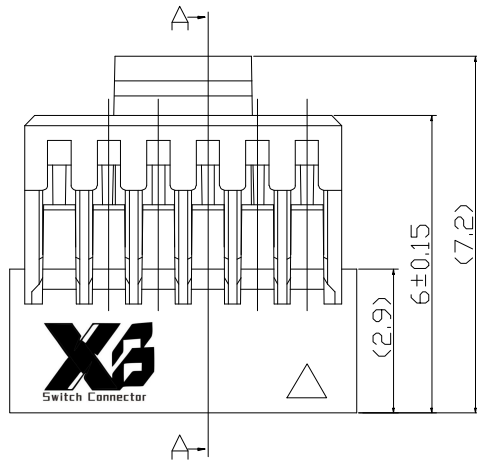
插线状态

NOTES:

1. Insulator Material: PA66 UL 94V-0
2. RATING
- 2-1. OPERATING TEMPERATURE: -25~85°C
- 2-2. OPERATING VOLTAGE: 150V AC/DC
- 2-3. CURRENT RATING: 1.0 AMPS
- 2-4. DIELECTRIC WITHSTANDING VOLTAGE: 500V AC/Minute;
- 2-5. INSULATION RESISTANCE: 100 MΩ Min;
- 2-6. CONTACT RESISTANCE: 0.03Ω Max;

E

D

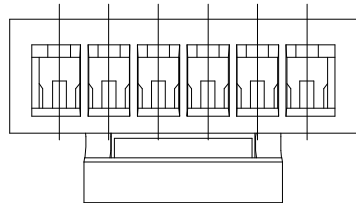


XB-X10-PCB-106-A002M

XX A X
No. of Pin/Row 02-20
Material/Color
M=Nylon66/White
KI=Nylon66/Black

PIN	M	L1	L
2	1.0	2.40	3.00
3	2.0	3.40	4.00
4	3.0	4.40	5.00
5	4.0	5.40	6.00
6	5.0	6.40	7.00
7	6.0	7.40	8.00
8	7.0	8.40	9.00
9	8.0	9.40	10.00
10	9.0	10.40	11.00
11	10.0	11.40	12.00
12	11.0	12.40	13.00
13	12.0	13.40	14.00
14	13.0	14.40	15.00
15	14.0	15.40	16.00
16	15.0	16.40	17.00
17	16.0	17.40	18.00
18	17.0	18.40	19.00
19	18.0	19.40	20.00
20	19.0	20.40	21.00

B



SECTION A-A

A

东莞市溪榜电子有限公司 DONG GUAN XI BANG ELECTRONICS CO., LTD			3RD.ANG PROJ.		GENERAL TOLERANCE		DESIGNED:	DATE:	DWG. NO. XB-X10-PCB-106-A002M	TITLE. 1.0W1B CONN. SINGLE ROW HOUSING
					X.待 / X.?	.X?.25				
REV. A	UNIT. mm	SCALE. 1:1	PAGE. 1/1	.XX待 / .XX?.20	.XXX?. 15		APPROVED:	DATE:	PART NO.	

1 2 3 4 5 6 7 8 9

F

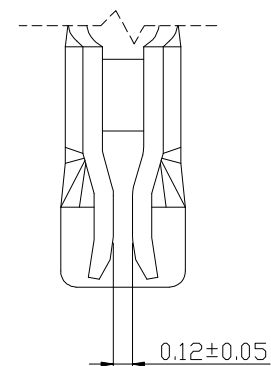
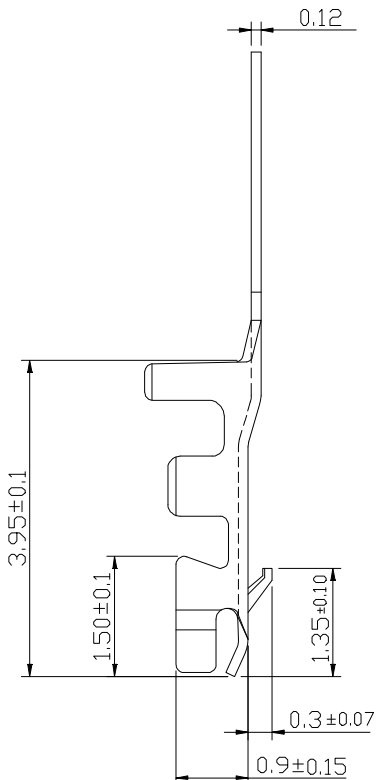
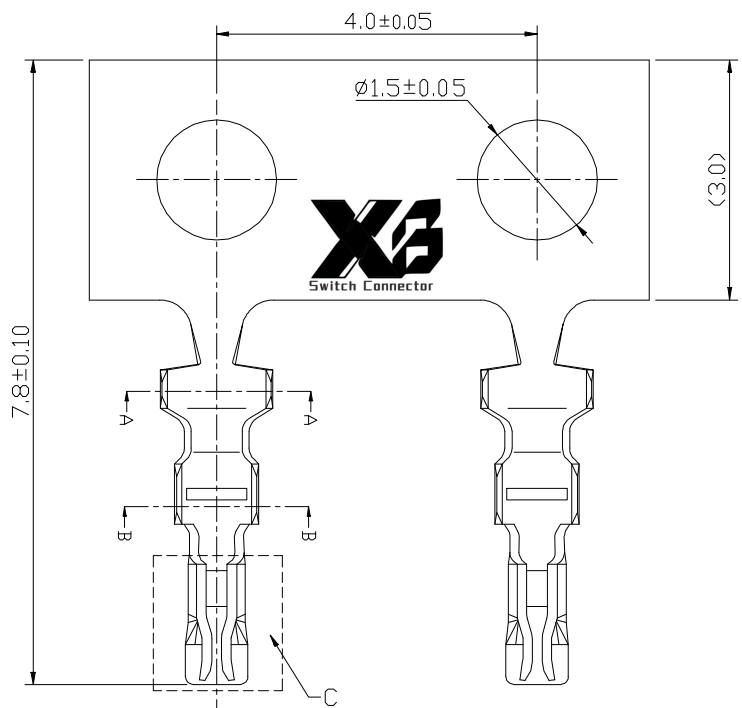
E

D

C

B

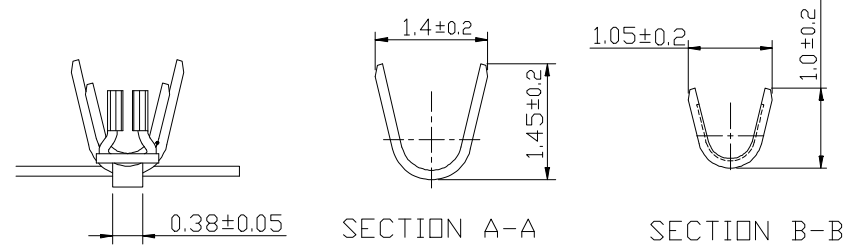
A



DETAIL: C SCALE 2:1

NOTES:

OPERATING TEMPERATURE: -25~85°C
 OPERATING VOLTAGE: 150V AC/DC
 CURRENT RATING: 1.0 AMPS
 DIELECTRIC WITHSTANDING VOLTAGE:
 500V AC/Minute;
 INSULATION RESISTANCE: 100MΩ Min;
 CONTACT RESISTANCE: 0.03Ω Max;



Ordering Information

XB-X10-PCB-106-A002-D XX AB

Standard Plating
 01=Tin
 02=Gold flash

Materials
 AB=Phosphor Bronze

东莞市溪榜电子有限公司 DONG GUAN XI BANG ELECTRONICS CO., LTD	3RD.ANG PROJ. 	GENERAL TOLERANCE		DESIGNED:	DATE:	DWG. NO. XB-X10-PCB-106-A002-D	TITLE. 1.0 WTB CONV. PLUG CRIMP TERMINAL
		X.停 /	X.? /				
REV. A	UNIT. mm	SCALE. 1:1	PAGE. 1/1	.X停 /	.X?.25	PART NO.	
				.XX停 /	.XX?.20		
				.XXX停 /	.XXX?. 15		
				APPROVED:	DATE:		