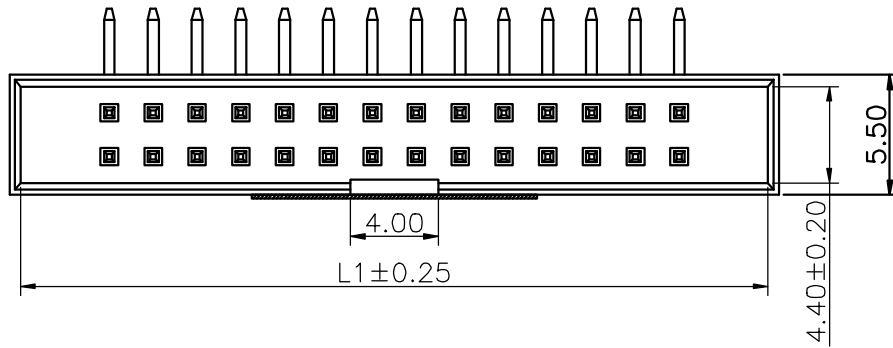


1 2 3 4 5 6 7 8 9

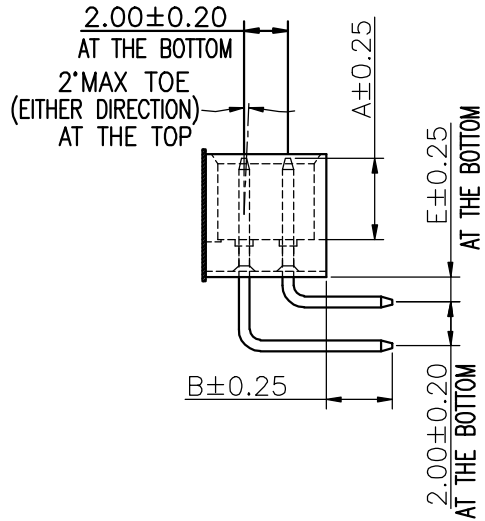
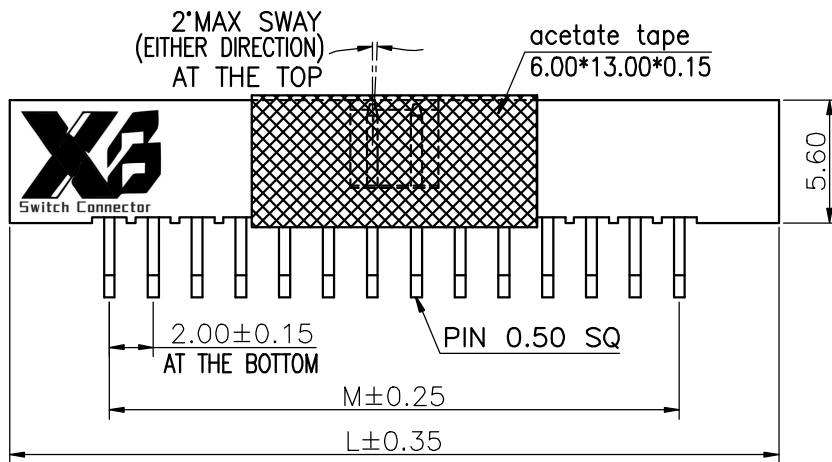
F



Specifications
 Current Rating: 2.0Amp
 Insulation Resistance: 1000MΩMin.
 Dielectric Withstanding Voltage: 500VAC
 Contact Resistance: 20mΩMax.
 Operating Temperature: -40°C to +105°C

Materials
 Contact Material:
 Brass (Pin length less than 25mm)
 Phosphor Bronze (The total length of pin is more than 25mm)
 Insulator Material:
 PBT (Not resistant to high temperature),
 Nylon (High temperature resistance),
 LCP (High temperature resistance),
 UL 94V-0
 All materials must meet XI BANG hazardous substances control standards.

E



D

C

No. of PIN/ROW	Dimension Information		
	M	L1	L
04	6.00	14.00	15.10
05	8.00	16.00	17.10
06	10.00	18.00	19.10
07	12.00	20.00	21.10
08	14.00	22.00	23.10
09	16.00	24.00	25.10
10	18.00	26.00	27.10
11	20.00	28.00	29.10
12	22.00	30.00	31.10
13	24.00	32.00	33.10
14	26.00	34.00	35.10
15	28.00	36.00	37.10
16	30.00	38.00	39.10
17	32.00	40.00	41.10
18	34.00	42.00	43.10
19	36.00	44.00	45.10
20	38.00	46.00	47.10
21	40.00	48.00	49.10
22	42.00	50.00	51.10
23	44.00	52.00	53.10
24	46.00	54.00	55.10
25	48.00	56.00	57.10

Ordering Information

220 - XX XX A XXX C 1 A X

Plastic specifications
 1=Single row
 2=Dual row
 3=Tripe row
 4=Quadruple

Water code

No. of Pins per Row 04~25

Positioning column information
 A=No locating post
 B=Round post
 C=Square post

Pin length See the drawing

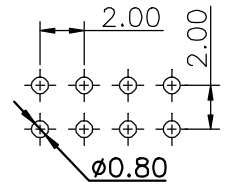
Insulator Material
 A=PBT
 R=Nylon (Halogen Free)
 C=LCP

Color
 1=Black
 2=White
 3=Yellow
 E=Beige

Contact Material
 A/S/K/T=Phosphor Bronze
 B/Z/H/W=Brass

Packing code
 A=Box
 B=Tray
 C=Tube
 D=Tape&Reel
 G=Acetate Tape+Tube
 H=Acetate Tape+Tape&Reel

Recommended P.C.Board Layout
 (Tolerance: ±0.05)



B

A

东莞市溪榜电子有限公司 DONG GUAN XI BANG ELECTRONICS CO., LTD	GENERAL TOLERANCE		DESIGNED:	DATE:	DWG. NO.	TITLE: 2.00PIN HEADER DUAL ROWS R/A TYPE BASE 5.60H
	X. ± 5.0'	X. ± 0.30	CHECKED:	DATE:	XB-JN-20-W-220	
	.X' ± 3.0'	.X ± 0.25	CO SIGNED:	DATE:	PART NO.	
	.XX' ± 2.0'	.XX ± 0.15	APPROVED:	DATE:		
REV. 01	UNIT. mm	SCALE. 3:1	PAGE. 1/1			

1 2 3 4 5 6 7 8 9