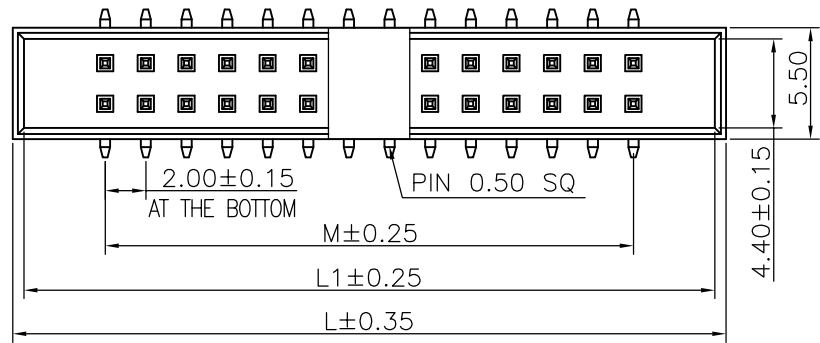


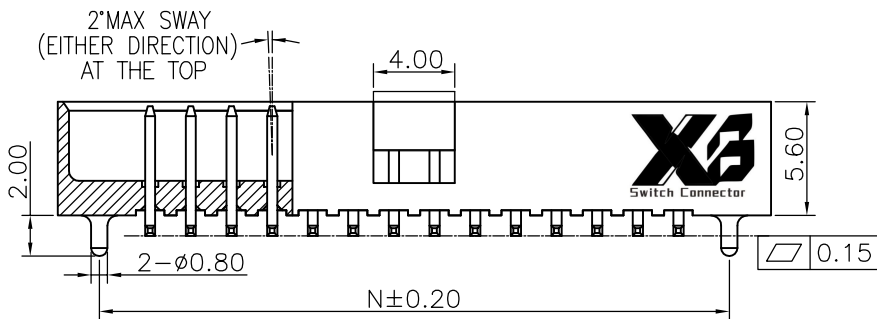
1 2 3 4 5 6 7 8 9

F



E

D



C

B

Ordering Information

220 - XX XX B XXX C 1 A X

Plastic specifications  
 1=Single row  
 2=Dual row  
 3=Tripe row  
 4=Quadruple

Water code

No. of Pins per Row  
 05~25

Positioning column information  
 A=No locating post  
 B=Round post  
 C=Square post

Pin length  
 See the drawing

Plating code  
 01=Tin  
 02=Gold Flash  
 05=Gold Flash/Tin  
 22=Matte Tin

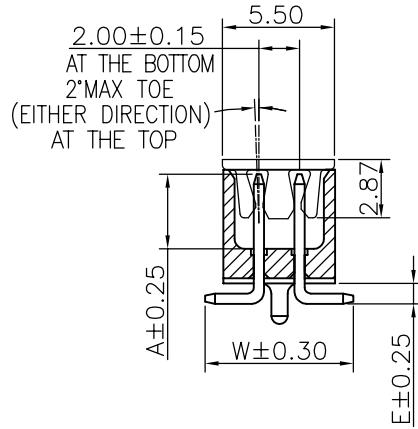
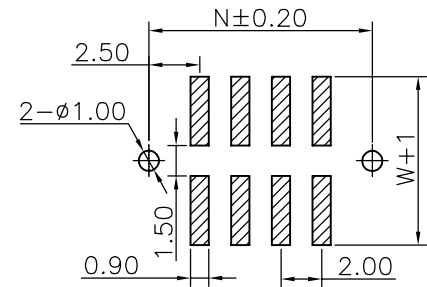
Insulator Material  
 R=Nylon(Halogen Free)  
 C=LCP

Color  
 1=Black  
 2=White  
 3=Yellow  
 E=Beige

Contact Material  
 A/S/K/T=Phosphor Bronze  
 B/Z/H/W=Brass

Packing code  
 A=Box  
 B=Tray  
 C=Tube  
 D=Tape&Reel  
 E=Cap+Tube  
 F=Cap+Tape&Reel

Recommended P.C.Board Layout  
 (Tolerance:±0.05)



Specifications  
 Current Rating:2.0Amp  
 Insulation Resistance:1000MΩMin.  
 Dielectric Withstanding Voltage:500VAC  
 Contact Resistance:20mΩMax.  
 Operating Temperature:-40°C to +105°C  
 Materials  
 Contact Material:  
 Brass(Pin length less than 25mm)  
 Phosphor Bronze(The total length of pin is more than 25mm)  
 Insulator Material:  
 Nylon(High temperature resistance),  
 LCP(High temperature resistance),  
 UL 94V-0  
 All materials must meet **XI BANG** hazardous substances control standards.

No. of PIN/ROW	Dimension Information			
	M	L1	L	N
05	8.00	16.00	17.10	13.00
06	10.00	18.00	19.10	15.00
07	12.00	20.00	21.10	17.00
08	14.00	22.00	23.10	19.00
09	16.00	24.00	25.10	21.00
10	18.00	26.00	27.10	23.00
11	20.00	28.00	29.10	25.00
12	22.00	30.00	31.10	27.00
13	24.00	32.00	33.10	29.00
14	26.00	34.00	35.10	31.00
15	28.00	36.00	37.10	33.00
16	30.00	38.00	39.10	35.00
17	32.00	40.00	41.10	37.00
18	34.00	42.00	43.10	39.00
19	36.00	44.00	45.10	41.00
20	38.00	46.00	47.10	43.00
21	40.00	48.00	49.10	45.00
22	42.00	50.00	51.10	47.00
23	44.00	52.00	53.10	49.00
24	46.00	54.00	55.10	51.00
25	48.00	56.00	57.10	53.00

A

<b>东莞市溪榜电子有限公司</b> DONG GUAN XI BANG ELECTRONICS CO., LTD	GENERAL TOLERANCE		DESIGNED:	DATE:	DWG. NO.	TITLE. 2.00 BOX HEADER DUAL ROWS SMT TYPE BASE 5.60H
	X.*±5.0"	X.±0.30	CHECKED:	DATE:	XB-JN-20-W220	
	.X*±3.0"	.X±0.25	CO SIGNED:	DATE:	PART NO.	
	.XX*±2.0"	.XX±0.15	APPROVED:	DATE:		
REV. 01	UNIT. mm	SCALE. 3:1	PAGE. 1/1			

1 2 3 4 5 6 7 8 9

F

E

D

C

B

A