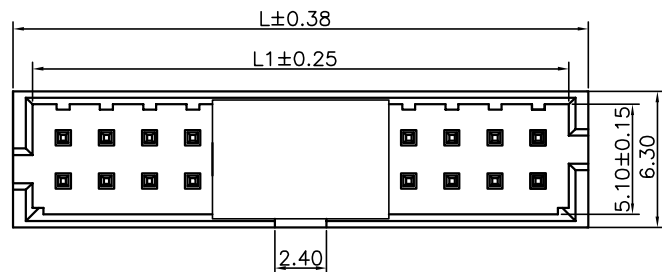


1 2 3 4 5 6 7 8 9

F

F

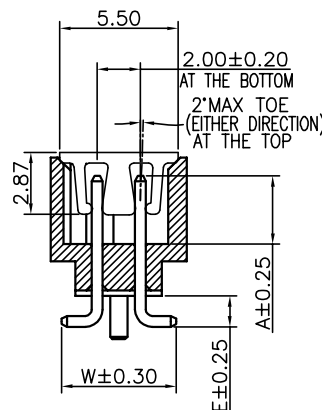
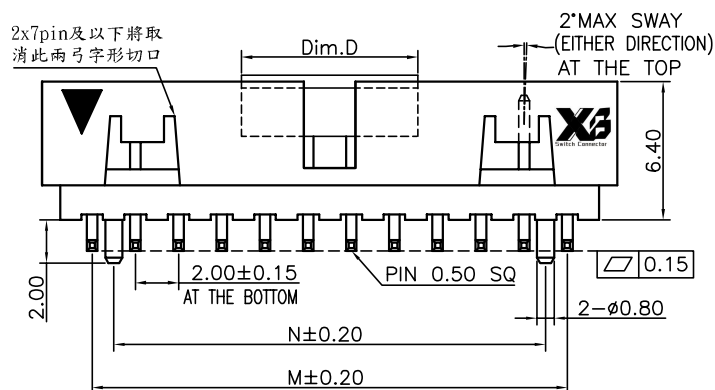


Dim.D	NOTE
5.00mm	03~08PIN
8.16mm	09~25PIN

Specifications
 Current Rating:2.0Amp
 Insulation Resistance:1000MΩMin.
 Dielectric Withstanding Voltage:500VAC
 Contact Resistance:20mΩMax.
 Operating Temperature:-40°C to +105°C
 Materials
 Contact Material:
 Brass(Pin length less than 25mm)
 Phosphor Bronze(The total length of pin is more than 25mm)
 Insulator Material:
 Nylon(High temperature resistance),
 LCP(High temperature resistance),
 UL 94V-0
 All materials must meet XI BANG hazardous substances control standards.

E

E



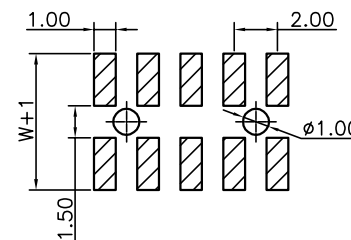
D

D

C

C

Recommended P.C.Board Layout
 (Tolerance:±0.05)

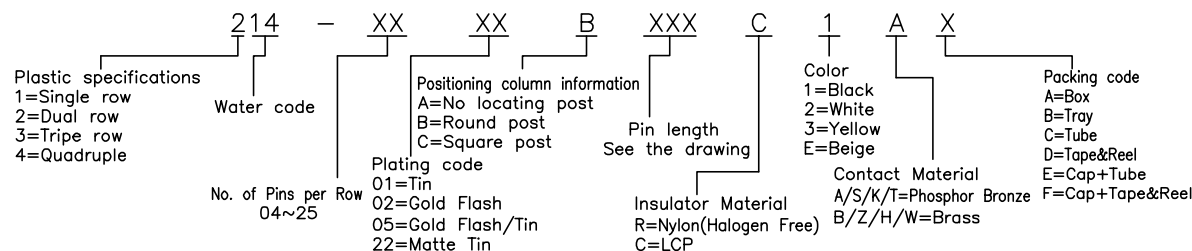


PIN/ROW	No.OF Dimension Information			
	L	L1	M	N
04	10.65	8.85	6.00	4.00
05	12.65	10.85	8.00	6.00
06	14.65	12.85	10.00	8.00
07	16.65	14.85	12.00	10.00
08	18.65	16.85	14.00	12.00
09	20.65	18.85	16.00	14.00
10	22.65	20.85	18.00	16.00
11	24.65	22.85	20.00	18.00
12	26.65	24.85	22.00	20.00
13	28.65	26.85	24.00	22.00
14	30.65	28.85	26.00	24.00
15	32.65	30.85	28.00	26.00
16	34.65	32.85	30.00	28.00
17	36.65	34.85	32.00	30.00
18	38.65	36.85	34.00	32.00
19	40.65	38.85	36.00	34.00
20	42.65	40.85	38.00	36.00
21	44.65	42.85	40.00	38.00
22	46.65	44.85	42.00	40.00
23	48.65	46.85	44.00	42.00
24	50.65	48.85	46.00	44.00
25	52.65	50.85	48.00	46.00

B

B

Ordering Information



A

A

东莞市溪榜电子有限公司
 DONG GUAN XI BANG ELECTRONICS CO., LTD

GENERAL TOLERANCE	
X.*±5.0°	X.±0.30
.X*±3.0°	.X±0.25
.XX*±2.0°	.XX±0.15
.XXX*±1.0°	.XXX±0.10

DESIGNED:	DATE:
CHECKED:	DATE:
CO SIGNED:	DATE:
APPROVED:	DATE:

DWG. NO.	XB-JN-20-W-214
PART NO.	

TITLE:	2.00 Box Header Molex Type PCB Surface Dual Rows Dual Post

REV.	UNIT.	SCALE.	PAGE.
01	mm	4:1	1/1

1 2 3 4 5 6 7 8 9