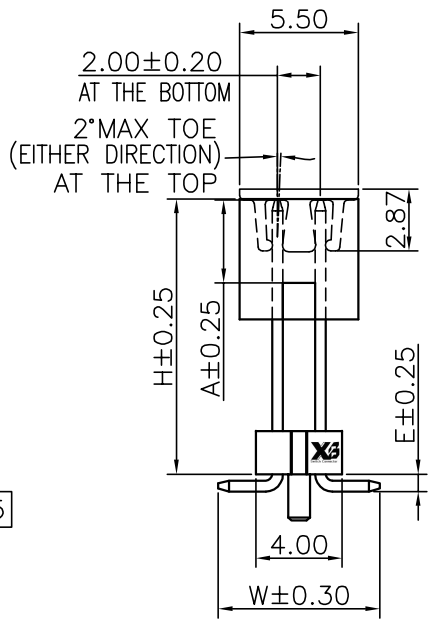
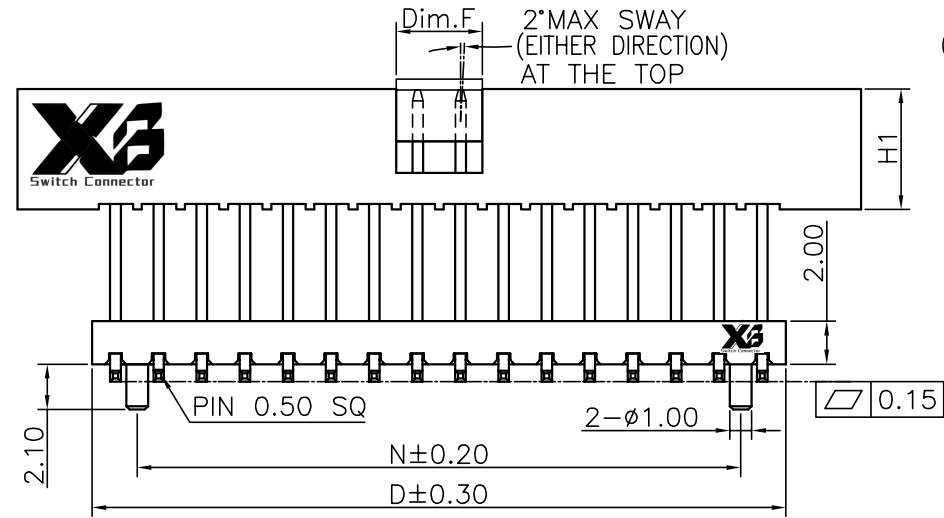


Dim.F	NOTE
5.00	04~08PIN
8.16	09~25PIN

Specifications  
 Current Rating:2.0Amp  
 Insulation Resistance:1000MΩMin.  
 Dielectric Withstanding Voltage:500VAC  
 Contact Resistance:20mΩMax.  
 Operating Temperature:-40°C to +105°C  
 Materials  
 Contact Material:  
 Brass(Pin length less than 25mm)  
 Phosphor Bronze(The total length of pin is more than 25mm)  
 Insulator Material:  
 Nylon(High temperature resistance),  
 LCP(High temperature resistance),  
 UL 94V-0  
 All materials must meet **XI BANG** hazardous substances control standards.



No. of PIN/ROW	Dimension Information				
	M	L1	L	D	N
04	6.00	14.00	15.10	8.20	4.00
05	8.00	16.00	17.10	10.20	6.00
06	10.00	18.00	19.10	12.20	8.00
07	12.00	20.00	21.10	14.20	10.00
08	14.00	22.00	23.10	16.20	12.00
09	16.00	24.00	25.10	18.20	14.00
10	18.00	26.00	27.10	20.20	16.00
11	20.00	28.00	29.10	22.20	18.00
12	22.00	30.00	31.10	24.20	20.00
13	24.00	32.00	33.10	26.20	22.00
14	26.00	34.00	35.10	28.20	24.00
15	28.00	36.00	37.10	30.20	26.00
16	30.00	38.00	39.10	32.20	28.00
17	32.00	40.00	41.10	34.20	30.00
18	34.00	42.00	43.10	36.20	32.00
19	36.00	44.00	45.10	38.20	34.00
20	38.00	46.00	47.10	40.20	36.00
21	40.00	48.00	49.10	42.20	38.00
22	42.00	50.00	51.10	44.20	40.00
23	44.00	52.00	53.10	46.20	42.00
24	46.00	54.00	55.10	48.20	44.00
25	48.00	56.00	57.10	50.20	46.00

### Ordering Information

221 - XX XX B XXX C 1 S X

Plastic specifications  
 1=Single row  
 2=Dual row  
 3=Tripe row  
 4=Quadruple

Water code  
 08:H1=4.30  
 10:H1=4.00

Positioning column information  
 A=No locating post  
 B=Round post  
 C=Square post

Pin length  
 See the drawing

Color  
 1=Black  
 2=White  
 3=Yellow  
 E=Beige

Packing code  
 A=Box  
 B=Tray  
 C=Tube  
 D=Tape&Reel  
 E=Cap+Tube  
 F=Cap+Tape&Reel

No. of Pins per Row  
 04~25

Plating code  
 01=Tin  
 02=Gold Flash  
 05=Gold Flash/Tin  
 22=Matte Tin

Contact Material  
 A/S/K/T=Phosphor Bronze

Insulator Material  
 R=Nylon(Halogen Free)  
 C=LCP

REV. 01	UNIT. mm	SCALE. 3:1	PAGE. 1/1	GENERAL TOLERANCE		DESIGN:	DATE:	DWG. NO. XB-JN-20-M221	TITLE. 2.00 BOX HEADER DUAL ROWS SMT TYPE CONNECTOR
				X.±5.0'	X.±0.30	CHECKED:	DATE:		
				.X'±3.0'	.X±0.25	CO SIGNED:	DATE:		
				.XXX'±2.0'	.XX±0.15	APPROVED:	DATE:		
				.XXX'±1.0'	.XXX±0.10			PART NO.	

**XB** 东莞市溪榜电子有限公司  
 DONG GUAN XI BANG ELECTRONICS CO., LTD