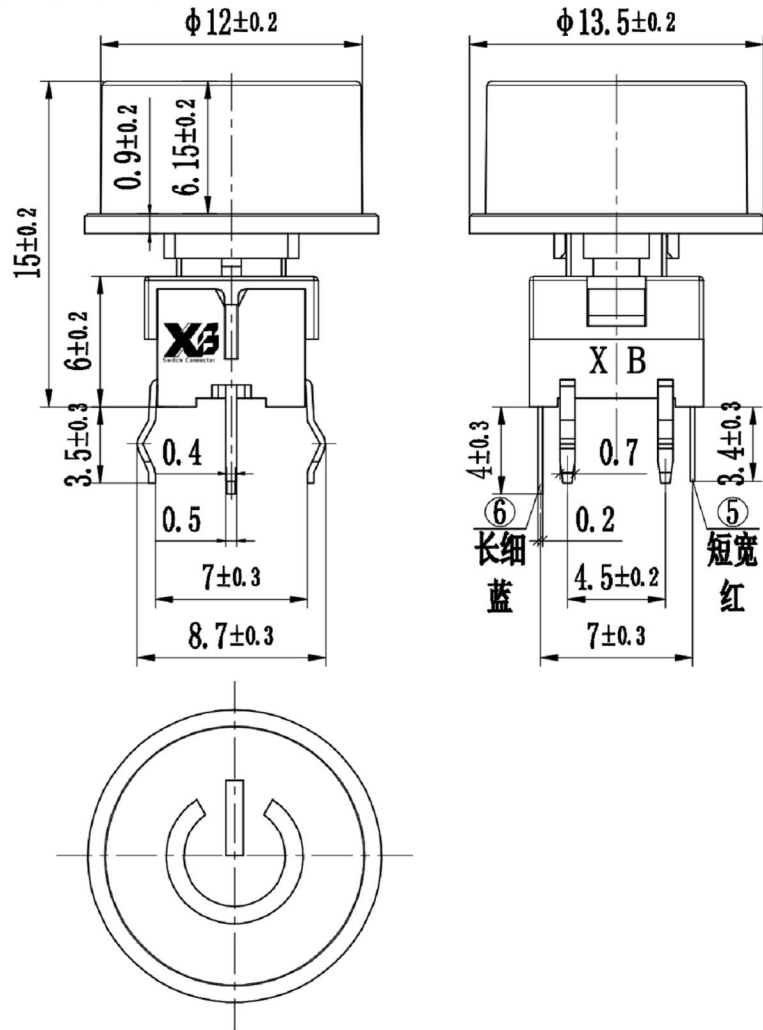
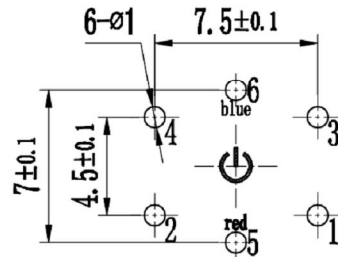


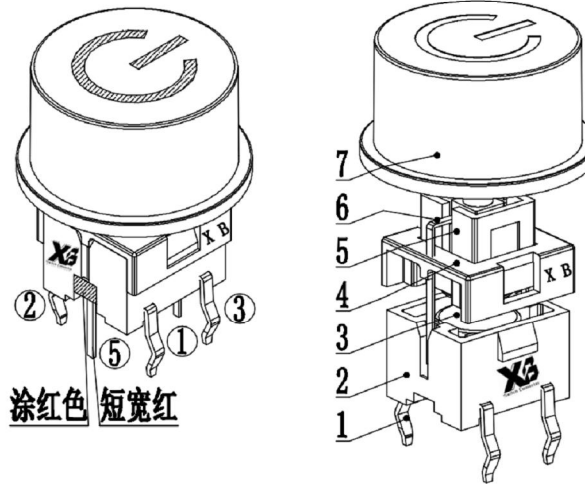
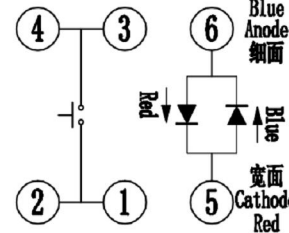
ROHS



元件面孔位图



电原理图



灯光选型表

双色灯光	灯光代码	电原理图
红/蓝双色光(宽脚红)	R/BL Red/Blue	
红/纯绿双色光(宽脚红)	R/G Red/Green	
红/白双色光(宽脚红)	R/W Red/White	
纯绿/蓝双色光(宽脚绿)	G/BL Green/Blue	
纯绿/白双色光(宽脚绿)	G/W Green/White	
黄绿/红双色光(宽脚黄绿)	Y G/R Yellow Green/Red	
黄/纯绿双色光(宽脚黄)	Y/G Yellow/Green	
橙/白双色光(宽脚橙)	O/W Orange/White	
红/黄双色光(宽脚红)	R/Y Red/Yellow	
....

带灯轻触主要技术指标: Illuminated Tact Switch Main Specifications:

气候等级 Climate Grade	额定值 Rated Values	接触电阻 Contact Resistance	耐电压 Dielectric Strength	绝缘电阻 Insulation Resistance	动作力 Operating Force	寿命 Life	盐雾试验 Salt mist Test
-25℃ 至 +75℃	30V DC, 30mA	≤0.05 Ω	250V AC	≥100M Ω	▶260gf±50gf	10W times	12±1 hours.
-25℃ 至 +75℃	30V DC, 30mA	≤0.05 Ω	250V AC	≥100M Ω	160gf±50gf	10W times	12±1 hours.

7	——	圆帽	PC	1	黑漆	A0814上电源
6	——	LED灯		1		借A0810红/蓝
5	——	按钮	PA66	1	瓷白	借A0810
4	——	塑盖	PA66	1	黑色	借A0810
3	——	弹片	不锈钢	1	Ag	借A0601
2	——	塑座	PA66	1	黑色	借A0810
1	——	卡件	PS	1	Ag	借A0610
序号	零件料号	名称	材料	数量	镀层/颜色	备注

The material contained in this drawing is the property of XiBang. Any use other than that specifically authorized by XiBang is prohibited. The above drawing is subjected to change for improvement without prior notice.

UNIT : MM		DWN.	GAO. PENG	DATE	TOLERANCE	ANGLE TOL
SCALE : 5 : 1		CHK'D	PANG. DONG	DATE	≤1.5mm ± 0.1	± 2°
VERSION : 01		APPD.	HE. LONG. FEI	DATE	> 1.5mm ± 0.2	
					>=10.0mm ± 0.3	

东莞市溪榜电子有限公司 DONG GUAN XI BANG ELECTRONICS CO., LTD		TITLE : XB LED TACT SWITCH		MODEL : XB-TS-LED-8015 轻触带灯开关8x8x15mm	
8	REEL	PS	1	BLUE	
7	CARRIER	PS	1	CLEAR	
6	COVER TAPE	PS	1	CLEAR	
5	CONTACT	PBS STRIP	1	Ag CLAD	
4	COVER	IRON STRIP	1	Ni PLATED	
3	CASE	NYLON	1	BLACK	
2	TERMINAL	BRASS STRIP	2	Ag PLATED	
1	KNOB	NYLON	1	BLACK	
NO.	PART NAME	MATERIAL	QTY.	FINISHING	