

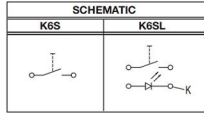
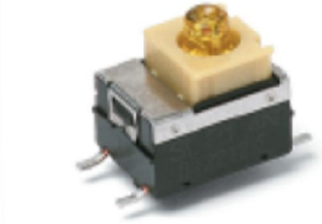
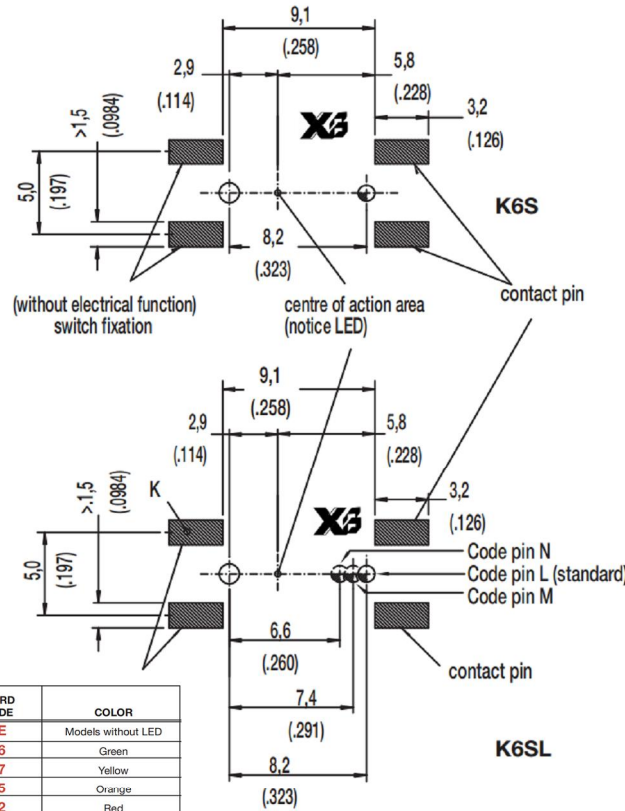
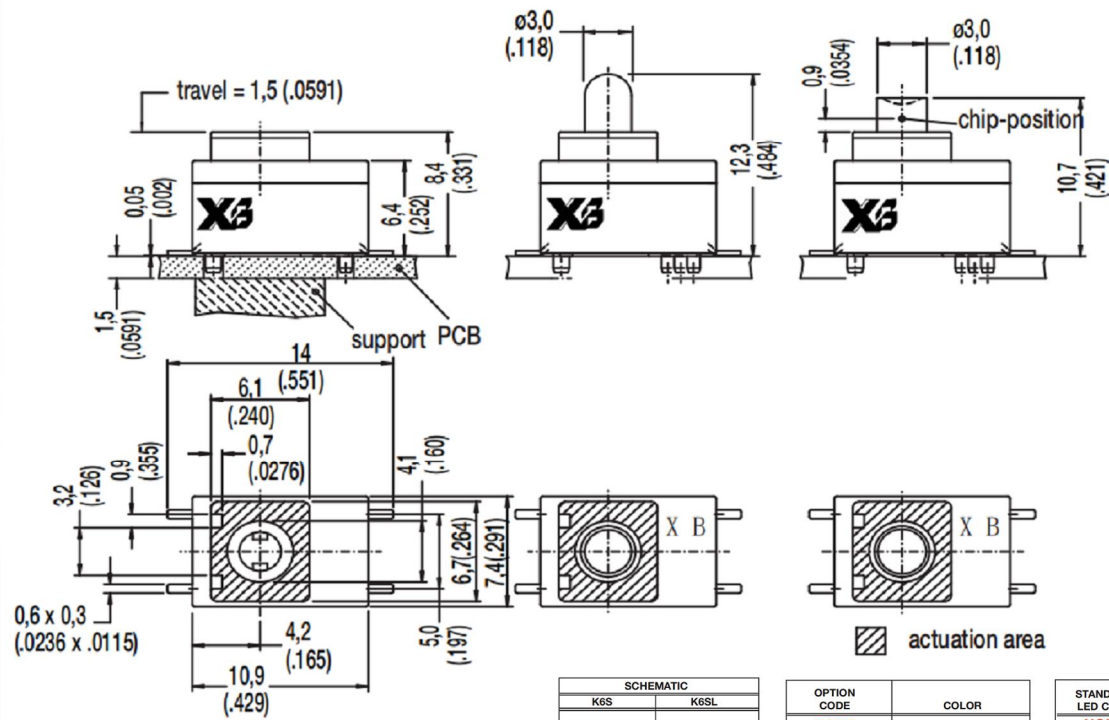
ROHS K6S WITHOUT LED
K6SL WITH LED

WITHOUT LED

LED

ARGUS® LED

PCB LAYOUT, MOUNTING SIDE



OPTION CODE	COLOR
NONE	Models without LED
GN	Green
YE	Yellow
OG	Orange
RD	Red
WH	White
BU	Blue

STANDARD LED CODE	COLOR
NONE	Models without LED
LV306	Green
LV327	Yellow
LV315	Orange
LV352	Red
LV302	White
LV328	Blue

Additional LED colors available by request

Hole	Ø	Without LED	With LED	Description
⌀	1,2±0,1 (.0471±.00349)	1x	1x	center hole
⌀	0,9±0,1 (.0354±.00349)	1x	1x	code (L,M,N)

OPTION CODE	OPERATING FORCE
3N	3 N, 300 g
5N	5 N, 500 g
2N OD	2 N, 200g without snap-point

Electrical

SWITCHING POWER MIN./MAX.: 0.02 mW / 3 W DC
SWITCHING VOLTAGE MIN./MAX.: 2 V DC / 30 V DC
SWITCHING CURRENT MIN./MAX.: 10 mA / 100 mA DC
DIELECTRIC STRENGTH (50 Hz)¹⁾: ≥ 300 V
OPERATING LIFE: ≥ 2 x 10⁶ operations²⁾
≥ 1 X 10⁷ operations for SMT version
CONTACT RESISTANCE: Initial ≤ 50 mΩ
INSULATION RESISTANCE: ≥ 10¹⁰ Ω
BOUNCE TIME: ≤ 1 ms
Operating speed 100 mm/s (3.94/s)

Environmental

OPERATING TEMPERATURE: -40°C to 85°C.
STORAGE TEMPERATURE: -40°C to 95°C.

Process

SOLDERABILITY:
THT: wave soldering, compatible with lead free soldering profile
Hand soldering, 350°C for 3s
SMT: not compatible with lead free reflow profile
245°C for 5s

Construction

FUNCTION: momentary action
CONTACT ARRANGEMENT: 1 make contact = SPST, N.O.
DISTANCE BETWEEN BUTTON CENTERS:
min. 7,5 and 11,8 (0.295 and 0.465)
TERMINALS: Snap-in pins, tinned
MOUNTING: Soldered by PC pins, locating pins
PC board thickness: 1,5 (0.0591)

Mechanical

TOTAL TRAVEL/SWITCHING TRAVEL: 1,5/0,9 (0.059/0.035)
PROTECTION CLASS: IP 40 according to DIN/IEC 529

1) Voltage rise: 300 V/s
2) According to DIN 41640; IEC 512-2
3) Higher values upon request

Packaging

THT: bulk in boxes of 500 pieces
SMT: bulk in boxes of 500 pieces
reels of 500 pieces (with LED) or 750 pieces (without LED)

The material contained in this drawing is the property of XiBang. Any use other than that specifically authorized by XiBang is prohibited. The above drawing IS subjected to change for improvement without prior notice.

	<p>东莞市溪榜电子有限公司 DONG GUAN XI BANG ELECTRONICS CO., LTD</p>									
	<p>TITLE : XB LED TACT SWITCH</p>									
<p>MODEL : XB-TS-LED-K6S</p>										
UNIT : MM	DWN.	GAO. PENG	DATE	<p>TOLERANCE ≤ 1.5mm ± 0.1 > 1.5mm ± 0.2 >= 10.0mm ± 0.3</p>	<p>ANGLE TOL ± 2°</p>	8	REEL	PS	1	BLUE
SCALE : 5 : 1	CHK'D	PANG. DONG	DATE			7	CARRIER	PS	1	CLEAR
VERSION	01	APPD.	HE. LONG. FEI			DATE	6	COVER TAPE	PS	1
						5	CONTACT	PBS STRIP	1	Ag CLAD
						4	COVER	IRON STRIP	1	Ni PLATED
						3	CASE	NYLON	1	BLACK
						2	TERMINAL	BRASS STRIP	2	Ag PLATED
						1	KNOB	NYLON	1	BLACK
						NO.	PART NAME	MATERIAL	QTY.	FINISHING