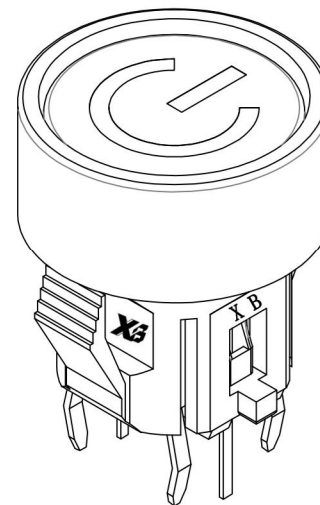
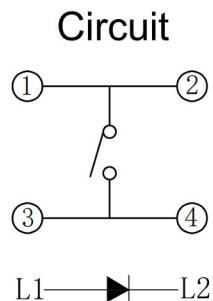
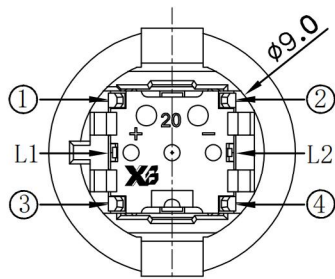
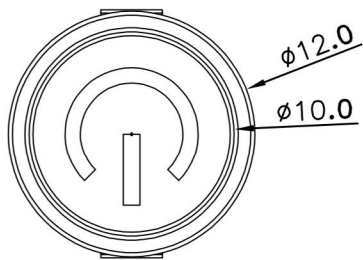


# ROHS



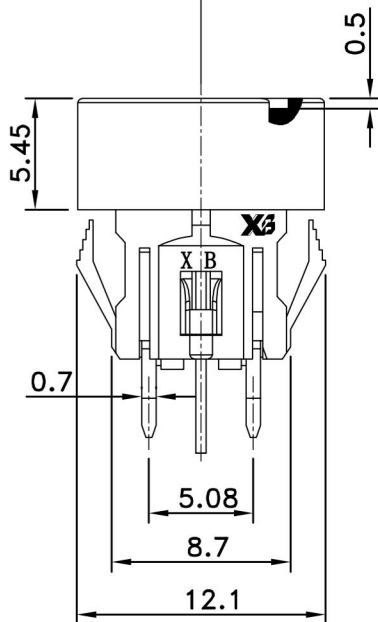
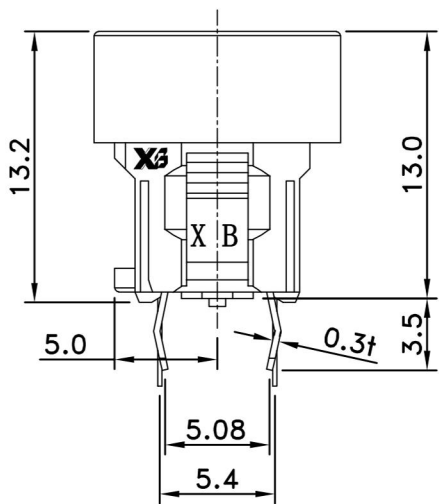
NOTES:

**Electrical Characteristics:**

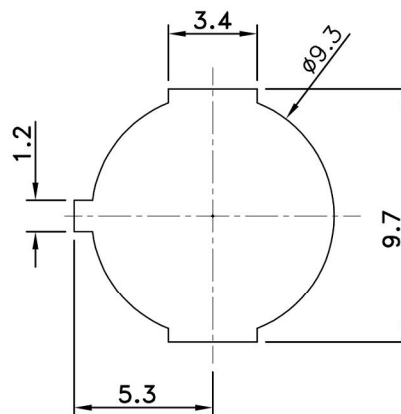
Rating : 50mA 12VDC  
 Contact Resistance: 50mΩ max. (Initial)  
 Insulation Resistance: 100MΩ min. (at 250 VDC)  
 Dielectric Strength: AC 250V(50/60Hz) for 1 minute.  
 LED Operating Current: 20mA max.

**Mechanical Characteristics:**

Operating Force: 160±50gf  
 Travel: 0.25±0.1mm  
 Static load : 3Kg / 60 sec  
 Operating Life: 100,000 cycles min.  
 Operating temperature: -20°C to 70°C.



**P.C.B.Layout**



LED COLOR (X)										
1	2	3	4	5	6	23	13	12	52	..
Red	Yellow	Green	Blue	White	Pure green	Yellow Green	Red Green	Red Yellow	White Yellow	..

NO.	PART NAME	MATERIAL	QTY.	REMARKS
1	CAP	PC&ABS	1	BLACK
2	BUTTON	NYLON	1	
3	COVER	PET	1	
4	CONTACT	STAINLESS STEEL METAL	1	CONTACT SIDE SILVER PLATING
5	HOUSING	NYLON	1	
6	TERMINAL	H65(C2680)	4	Ag PLATED
7	LED	GaASP/GaP	1	

The material contained in this drawing is the property of XiBang. Any use other than that specifically authorized by XiBang is prohibited. The above drawing IS subjected to change for improvement without prior notice.

	<b>东莞市溪榜电子有限公司</b> DONG GUAN XI BANG ELECTRONICS CO., LTD						8	REEL	PS	1	BLUE
	TITLE : XB LED TACT SWITCH		7	CARRIER			PS	1	CLEAR		
MODEL : XB-TS-LED-31312L-X				6	COVER TAPE	PS	1	CLEAR			
UNIT : MM	DWN.	GAO. PENG	DATE			5	CONTACT	PBS STRIP	1	Ag CLAD	
SCALE : 5 : 1	CHK'D	PANG. DONG	DATE			4	COVER	IRON STRIP	1	Ni PLATED	
VERSION	01	APPD.	HE. LONG. FEI	DATE		3	CASE	NYLON	1	BLACK	
						2	TERMINAL	BRASS STRIP	2	Ag PLATED	
						1	KNOB	NYLON	1	BLACK	
						NO.	PART NAME	MATERIAL	QTY.	FINISHING	