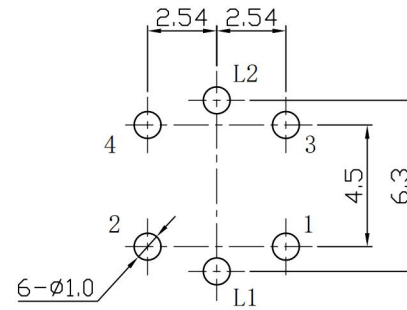
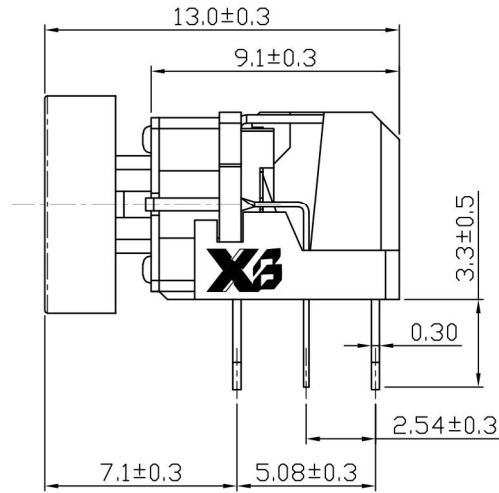
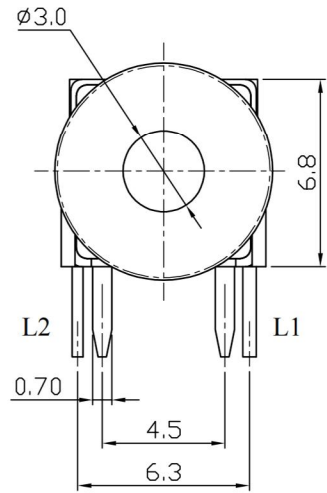
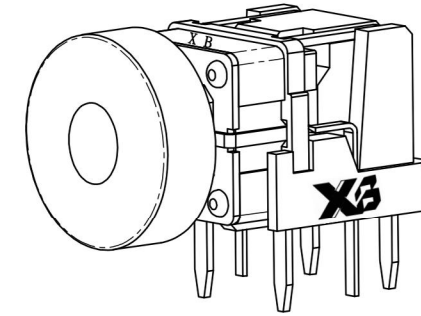


ROHS



P.C.B LAYOUT



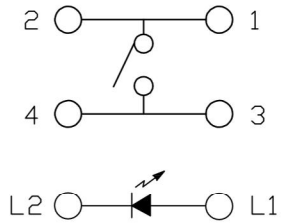
Note:

Electrical Characteristics:

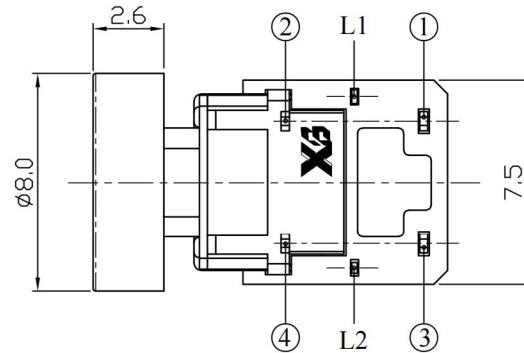
Rating : 50mA 12VDC
 Contact Resistance: 50mΩ max. (Initial)
 Insulation Resistance: 100MΩ min. (at 250 VDC)
 Dielectric Strength: AC 250V for 1 minute.
 LED operating current : 20mA max.

Mechanical Characteristics:

Operating Force: 160±50gf
 Travel: 0.25 ± 0.1mm
 Operating Life: 100,000 cycles min.
 Operating temperature: -20°C to 70°C.



ELECTRICAL DIAGRAM



LED COLOR (X)										
1	2	3	4	5	6	23	13	12	52	、 、
Red	Yellow	Green	Blue	White	Pure green	Yellow Green	Red Green	Red Yellow	White Yellow	、 、

NO.	PART NAME	MATERIAL
1	CAP	PC
2	WAFER	PC
3	BUTTON	PA66
4	BASE	PA66
5	TERMINAL	H65 (C2680)
6	LED	GaASP/GaP
7	COVER	PET
8	HOLDER	PA66
9	CONTACT	STAINLESS STEEL METAL

The material contained in this drawing is the property of XiBang. Any use other than that specifically authorized by XiBang is prohibited. The above drawing IS subjected to change for improvement without prior notice.

	东莞市溪榜电子有限公司 DONG GUAN XI BANG ELECTRONICS CO., LTD						TOLERANCE ≤1.5mm ± 0.1 > 1.5mm ± 0.2 >=10.0mm ± 0.3	ANGLE TOL ± 2°	8	REEL	PS	1	BLUE
	TITLE : XB LED TACT SWITCH		7	CARRIER					PS	1	CLEAR		
MODEL : XB-TS-LED-02-504RFL-X		6	COVER TAPE	PS	1	CLEAR							
UNIT : MM	DWN.	GAO. PENG	DATE		5	CONTACT	PBS STRIP	1	Ag CLAD				
SCALE : 5 : 1	CHK'D	PANG. DONG	DATE		4	COVER	IRON STRIP	1	Ni PLATED				
VERSION	01	APPD.	HE. LONG. FEI	DATE	3	CASE	NYLON	1	BLACK				
					2	TERMINAL	BRASS STRIP	2	Ag PLATED				
					1	KNOB	NYLON	1	BLACK				
					NO.	PART NAME	MATERIAL	QTY.	FINISHING				