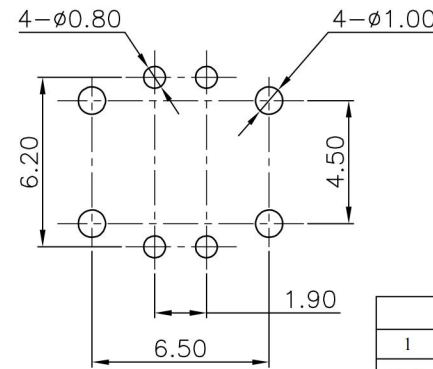
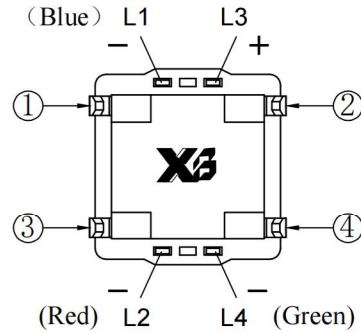
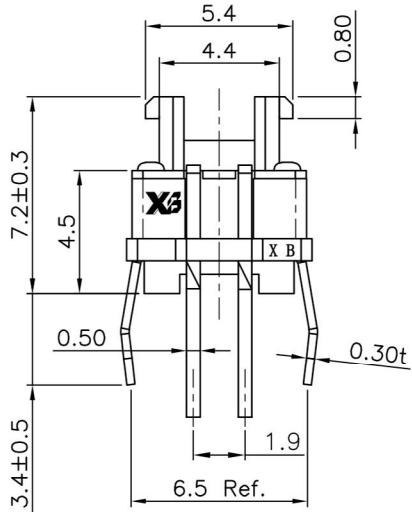
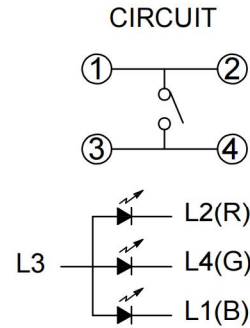
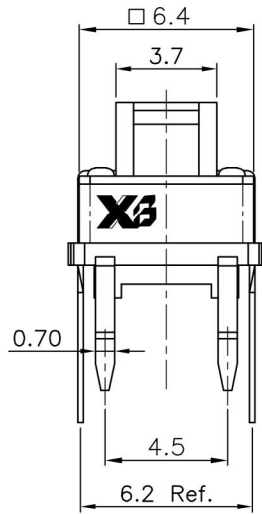
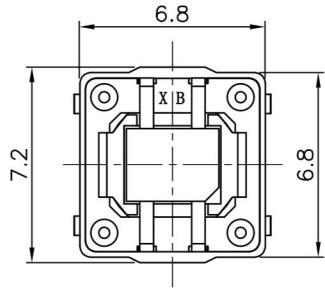


ROHS



P.C.B LAYOUT

NOTES:

Electrical Characteristics:

Rating : 50mA 12VDC
 Contact Resistance: 50mΩ max. (Initial)
 Insulation Resistance: 100MΩ min. (at 250 VDC)
 Dielectric Strength: AC 250V(50/60Hz) for 1 minute.
 LED Operating Current: 20mA max.

Mechanical Characteristics:

Operating Force: 160±50gf
 Travel: 0.25±0.1mm
 Static load : 3Kg / 60 sec
 Operating Life: 100,000 cycles min.
 Operating temperature: -20°C to 70°C.

LED COLOR (X)										
1	2	3	4	5	6	23	13	12	52	..
Red	Yellow	Green	Blue	White	Pure green	Yellow Green	Red Green	Red Yellow	White Yellow	..

NO.	PART NAME	MATERIAL	QTY.	REMARKS
1	BUTTON	PA66	1	
2	COVER	PET	1	
3	HOUSING	PA66	1	
4	LED	GaASP/GaP	1	
5	CONTACT	SUS301	1	CONTACT SIDE SILVER PLATING
6	TERMINAL	C2680	4	Ag PLATED

The material contained in this drawing is the property of XiBang. Any use other than that specifically authorized by XiBang is prohibited. The above drawing IS subjected to change for improvement without prior notice.



东莞市溪榜电子有限公司
 DONG GUAN XI BANG ELECTRONICS CO., LTD

TITLE : XB LED TACT SWITCH

MODEL : XB-TS-LED-02-4L-RGB 三色灯LED



TOLERANCE
 ≤1.5mm ± 0.1
 > 1.5mm ± 0.2
 >=10.0mm ± 0.3

ANGLE TOL
 ± 2°

UNIT	MM	DWN.	GAO. PENG	DATE
SCALE	5 : 1	CHK'D	PANG. DONG	DATE
VERSION	01	APPD.	HE. LONG. FEI	DATE

8	REEL	PS	1	BLUE
7	CARRIER	PS	1	CLEAR
6	COVER TAPE	PS	1	CLEAR
5	CONTACT	PBS STRIP	1	Ag CLAD
4	COVER	IRON STRIP	1	Ni PLATED
3	CASE	NYLON	1	BLACK
2	TERMINAL	BRASS STRIP	2	Ag PLATED
1	KNOB	NYLON	1	BLACK
NO.	PART NAME	MATERIAL	QTY.	FINISHING