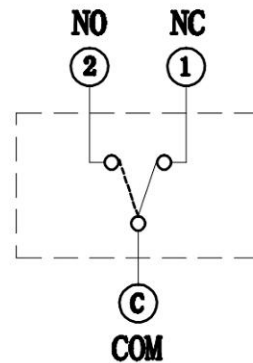
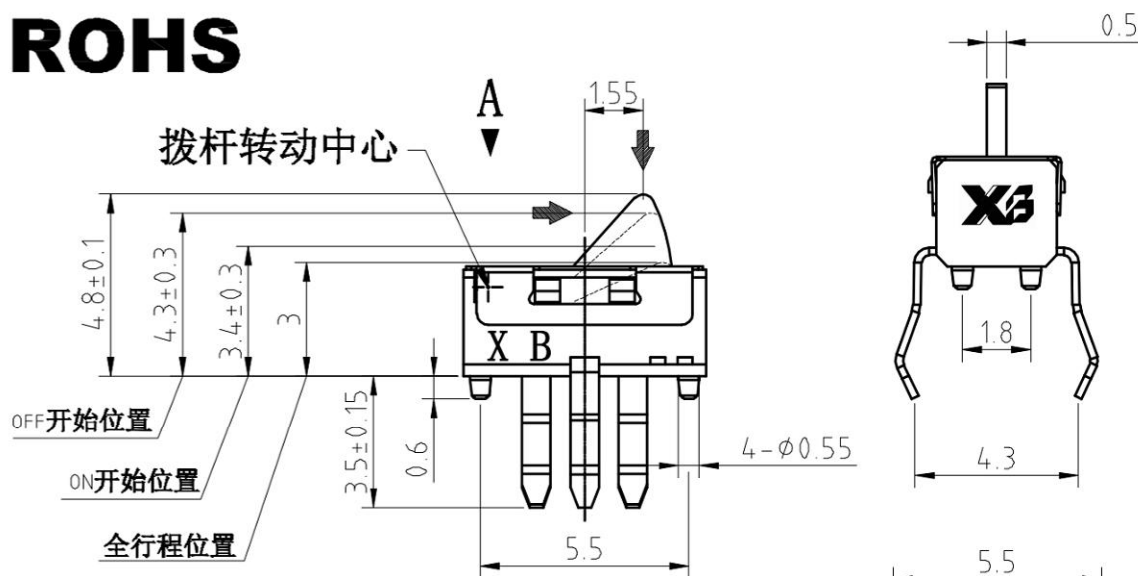
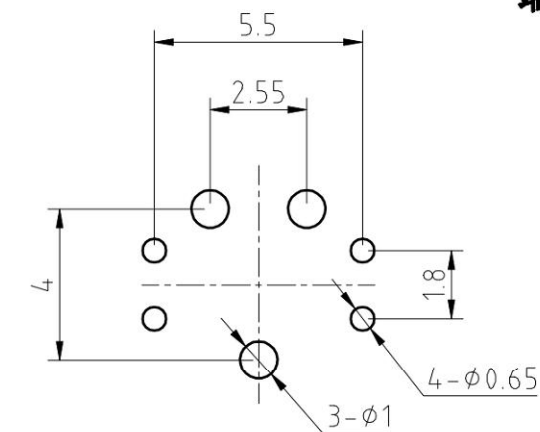
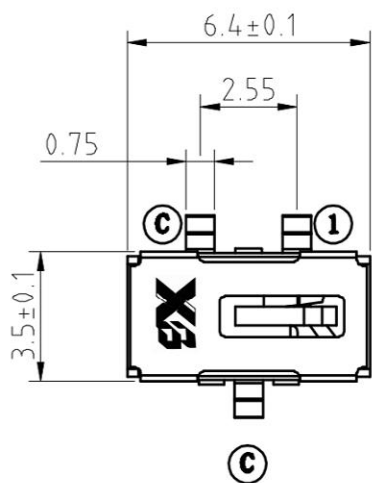
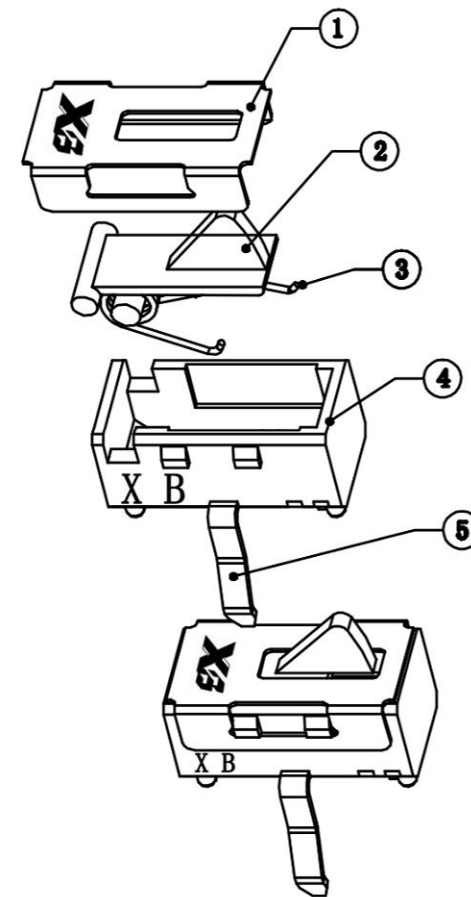


# ROHS



电路图：常开式(N.O)  
1个电路1个触点  
端子排列（自A方向看）



印制电路板及焊接安装孔参考图  
(自A方向看)

| SPECIFICATION (INITIAL)                        |  |  |  |  |
|--|--|--|--|--|
| RATING:  |  |  |  |  |
| CONTACT RESISTANCE: MAX 30mΩ                   |  |  |  |  |
| INSULATION RESISTANCE: 500MΩ AT 500V DC        |  |  |  |  |
| WITHSTAND VOLTAGE: AC 250V FOR 1 MIN           |  |  |  |  |
| OPERATION FORCE: 30gf±10gf                     |  |  |  |  |
| SWITCHING LIFE: 100000 Cycles(6-10c/m loading) |  |  |  |  |

The material contained in this drawing is the property of XiBang. Any use other than that specifically authorized by XiBang is prohibited. The above drawing IS subjected to change for improvement without prior notice.

|                                   |  |            |               |      |                |           |     |           |             |      |           |
|-----------------------------------|--|------------|---------------|------|----------------|-----------|-----|-----------|-------------|------|-----------|
|                                   | <b>东莞市溪榜电子有限公司</b><br>DONG GUAN XI BANG ELECTRONICS CO., LTD |            |               |      |                |           | 8   | REEL      | PS          | 1    | BLUE      |
|                                   | TITLE : XB DETECTION SWITCH                                  |            |               |      |                |           | 7   | CARRIER   | PS          | 1    | CLEAR     |
| MODEL XB-TM-VT-07D-CB-S带柱（双触点常闭型） |  |            |               | 6    | COVER TAPE     | PS        | 1   | CLEAR     |             |      |           |
| UNIT : MM                         | DWN.   | GAO. PENG  | DATE          |      | TOLERANCE      | ANGLE TOL | 5   | CONTACT   | PBS STRIP   | 1    | Ag CLAD   |
| SCALE : 5 : 1                     | CHK'D  | PANG. DONG | DATE          |      | ≤1.5mm ± 0.1   | ± 2°      | 4   | COVER     | IRON STRIP  | 1    | Ni PLATED |
| VERSION                           | 01   | APPD.      | HE. LONG. FEI | DATE | > 1.5mm ± 0.2  |           | 3   | CASE      | NYLON       | 1    | BLACK     |
|                                   |  |            |               |      | >=10.0mm ± 0.3 |           | 2   | TERMINAL  | BRASS STRIP | 2    | Ag PLATED |
|                                   |  |            |               |      |                |           | 1   | KNOB      | NYLON       | 1    | BLACK     |
|                                   |  |            |               |      |                |           | NO. | PART NAME | MATERIAL    | QTY. | FINISHING |