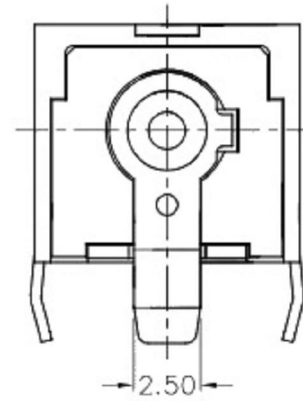
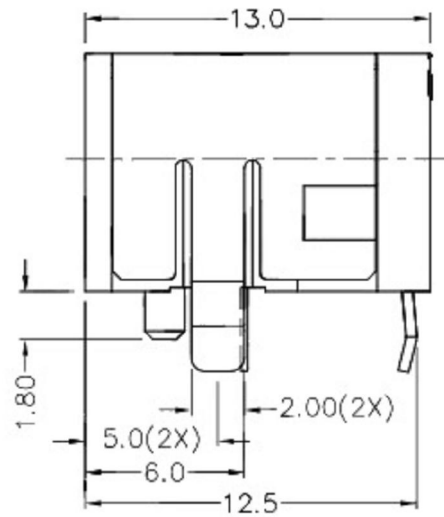
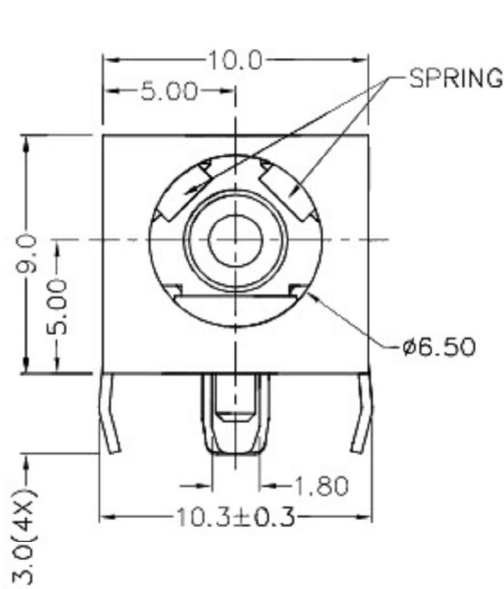
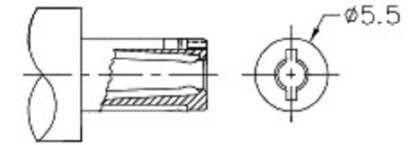


ROHS



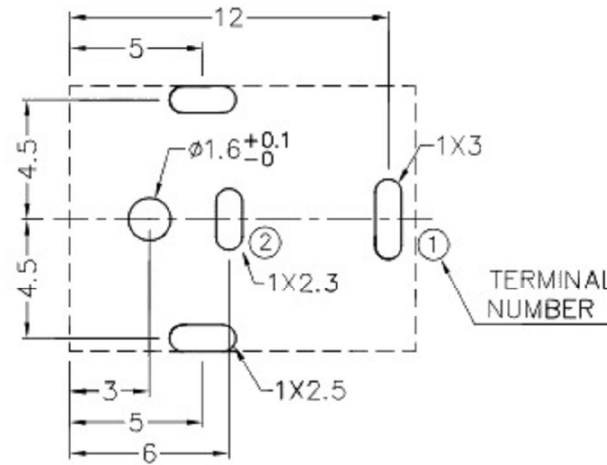
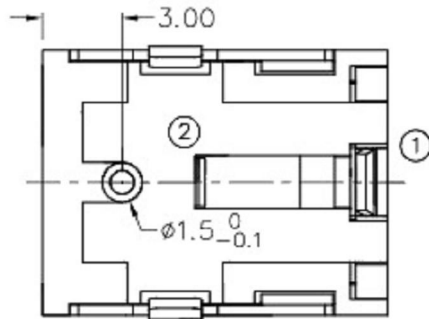
SCHMATIC	
CENTER PIN	∅2mm
	∅2.5mm



DC MATE PLUG

*** MATERIAL**

- CENTRE PIN : COPPER
- TERMINAL 1 : BRASS
- TERMINAL 2 : COPPER ALLOY
- SPRING : COPPER ALLOY
- SHIELD : BRASS
- HOUSING : THERMOPLASTIC
- COVER : THERMOPLASTIC



RECOMMENDED PCB LAYOUT
TOLERANCE: ±0.05
(TOP VIEW)

SPECIFICATIONS:

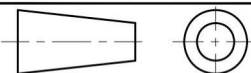
- Contact Resistance : 30mΩ max
 - Current Rating : Max 5.0A 7.0A 12V 30V DC
 - Insulation Resistance : 100MΩ min. at DC 500V
 - Dielectric Withstanding Voltage: AC 500V for one minute
- Remark: ▲ : The Most Important Dimension



东莞市溪榜电子有限公司
DONG GUAN XI BANG ELECTRONICS CO., LTD

TITLE : XB DC POWER JACK

MODEL : XB-DC-0013



UNIT : MM	DWN.	GAO. PENG	DATE	TOLERANCE	ANGLE TOL
SCALE : 4 : 1	CHK'D	PANG. DONG	DATE	<=1.5mm ± 0.15	± 5°
VERSION	01	APPD.	HE. LONG. FEI	> 1.5mm ± 0.2	
				>=10.0mm ± 0.3	

6	COVER	SUS	1	NATURE
5	STOPPER	SUS	1	NATURE
4	TERMINAL	COPPER ALLOY	1	Sn 60u"/Ni 50u"
3	CENTER PIN	COPPER ALLOY	1	GOLD FLASH
2	SHELL	SUS	1	NATURE
1	HOUSING	THERMOPLASTIC	1	BLACK
NO.	PART NAME	MATERIAL	QTY.	FINISHING